

Advance

With refined styling and a streamlined profile, the Advance is packed with new design innovations. Useable as a single or double sided system, this removable cassette banner system has been specially designed for maximum convenience and ease of use.



Features and Benefits

- Variable height = 29.5" - 83.35"
- Single or double sided
- Graphic tensioner
- Integrated pole storage for the twist & lock telescopic pole
- Interchangeable graphic cassettes
- Add your own branding using the slide in graphic channel along the banner stand base

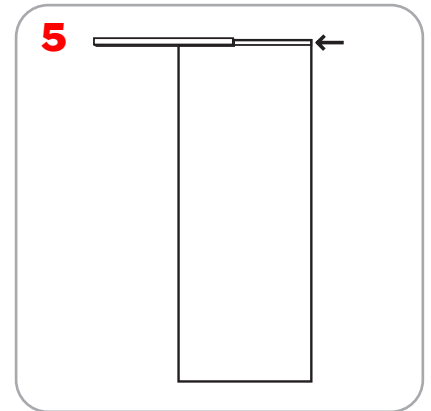
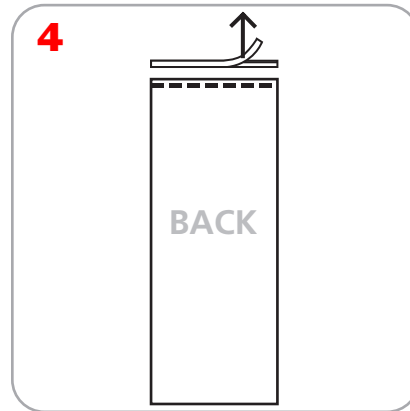
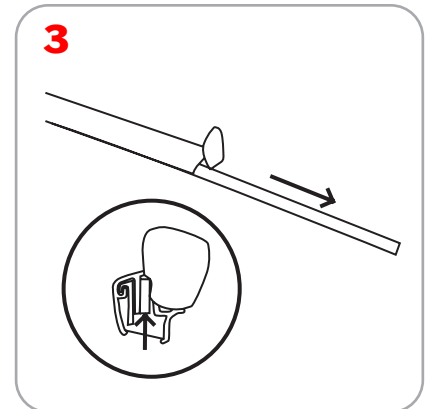
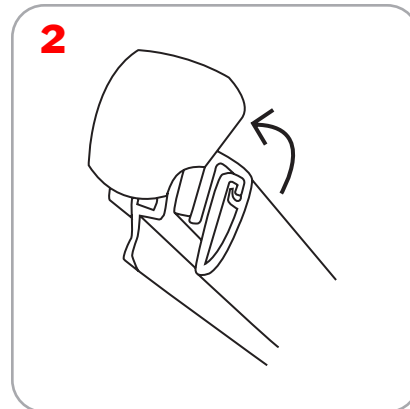
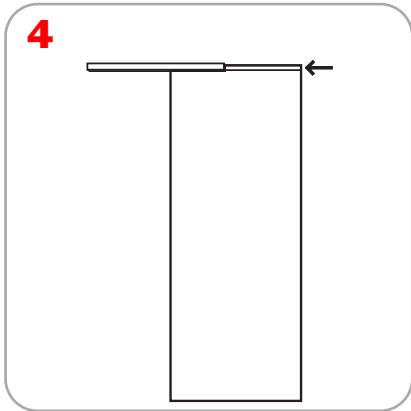
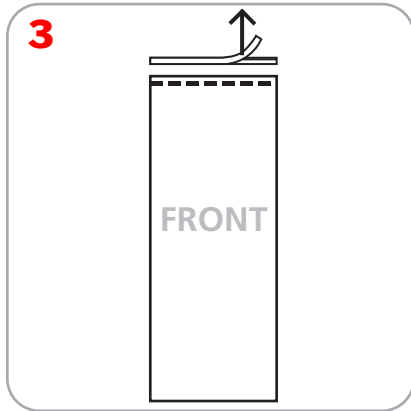
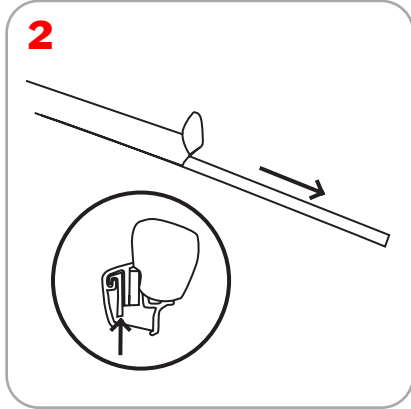
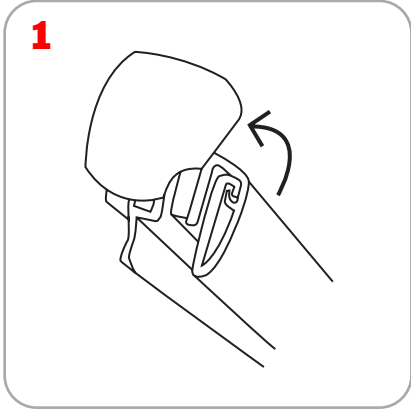
Dimensions

Hardware Dimensions	Graphic Dimensions
<p>Hardware Dimensions: 87.40"(h) max x 34.10"(w) x 11"(d) approx. 2210mm(h) x 865mm(w) x 280mm(d) approx.</p> <p>Base Dimensions: 3.75"(h) x 34.10"(w) x 11"(d) approx. 95mm(h) x 865mm(w) x 280mm(d) approx.</p> <p>Weight: 16.5 lbs (7.5 kg) approx (including carry bag)</p>	<p>31.5"w x 29.5"h up to 83.35"h (plus 1/2" bleed at the top and 6" bleed at the bottom)</p> <p>800mm w x 750mm h up to 2130mm h (plus 12.7mm bleed at the top and 152.4mm bleed at the bottom)</p>

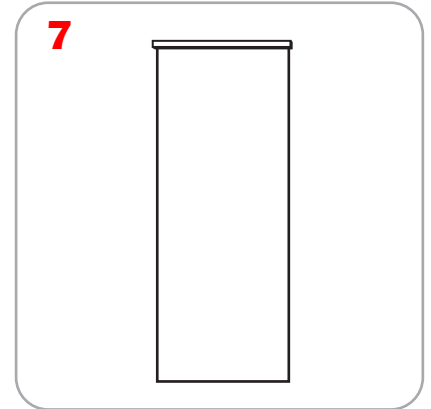
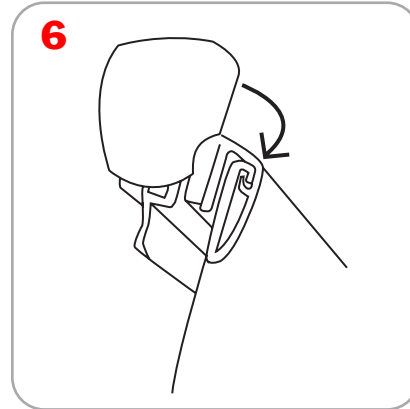
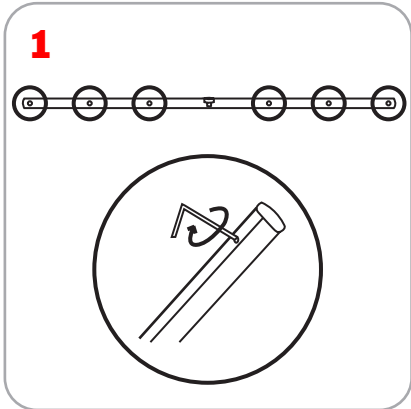
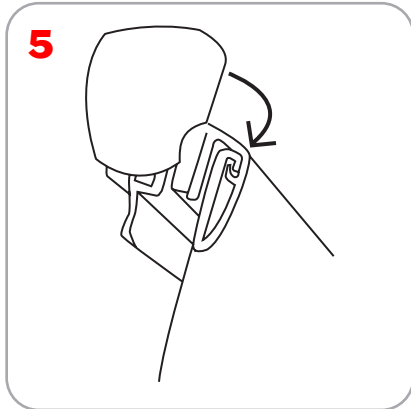
Additional Information

<p>Shipping Dimensions: 36" x 14" x 5" 914.4mm x 355.6mm x 127mm</p> <p>Shipping Weight: 24 lbs / 10.89 kg</p> <p>Can add lighting with any of our lights. Lumina 2 is recommended. Must order universal connector for Lumina 7 & Lumina 200</p> <p>Recommended Substrate: 13oz. smooth vinyl, 7oz. cotton, 14oz. anti-curl vinyl, 8oz. oxford, 11mil melenex</p>	<p>Grippa top rail attachment recommended for semi-permanent or long term use. Adhesive top rail attachment recommended for short term use.</p> <p>WARNING: Always attach graphic to base and top rail before removing the locking pin. After fitting, the graphic should be left for 24 hours before use to ensure the adhesive bonds sufficiently. Opening the base will invalidate the product warranty.</p> <p>Graphic tension may be re-applied or added by turning the ratchet tensioner clockwise.</p> <p>Included in Kit: Base, 2 top rails, 2 cassettes, telescopic pole, doubler and carry bag</p>
---	--

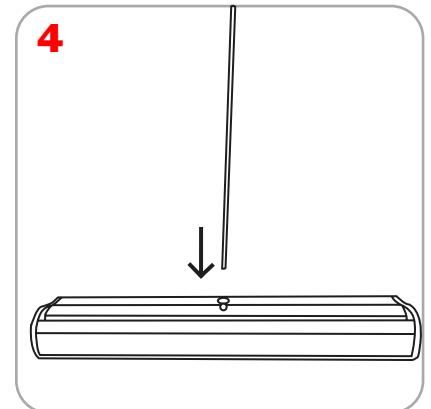
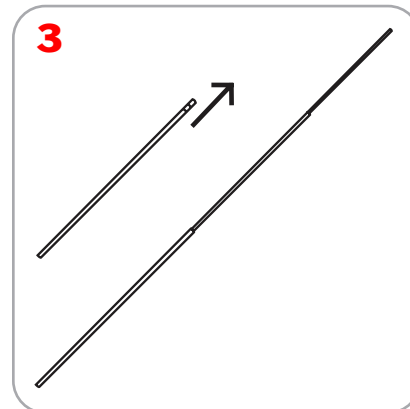
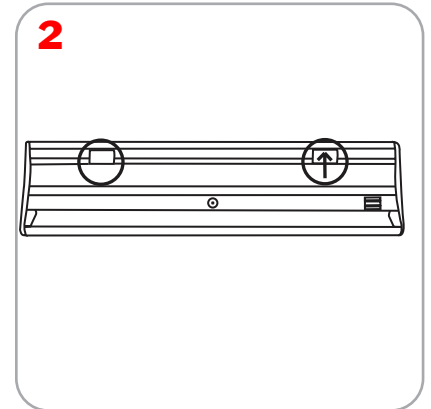
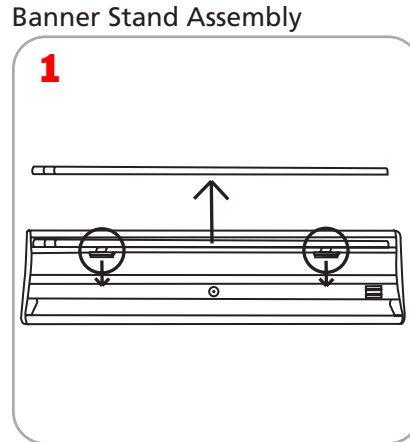
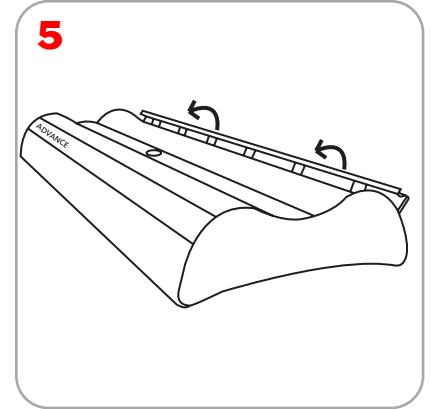
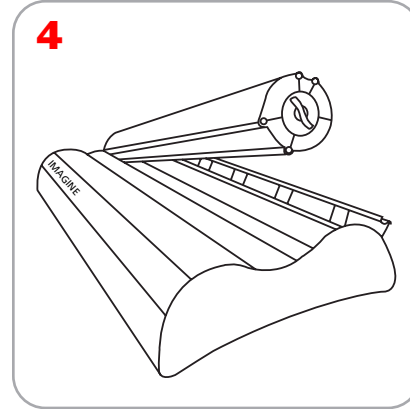
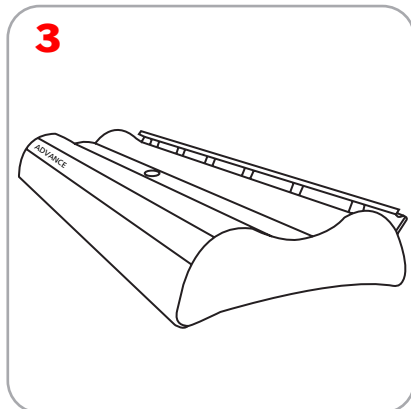
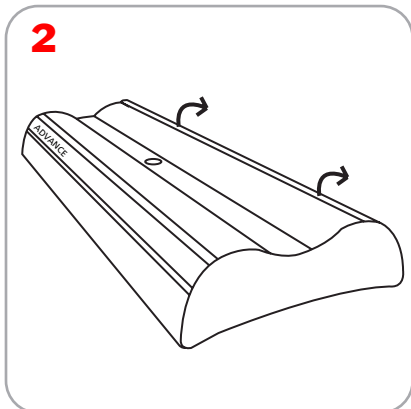
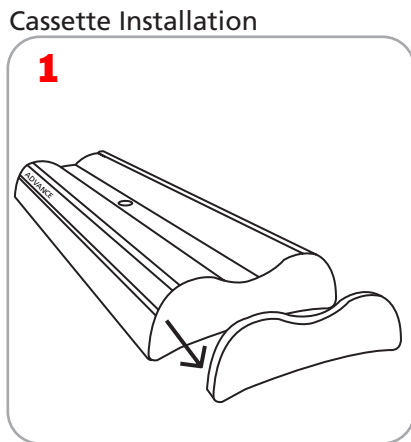
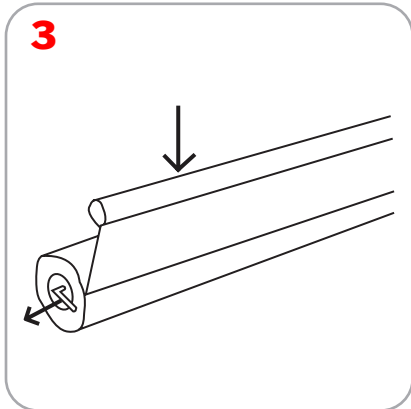
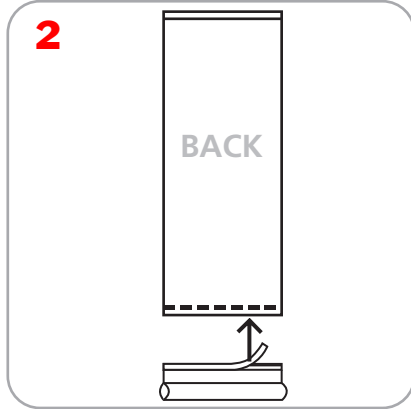
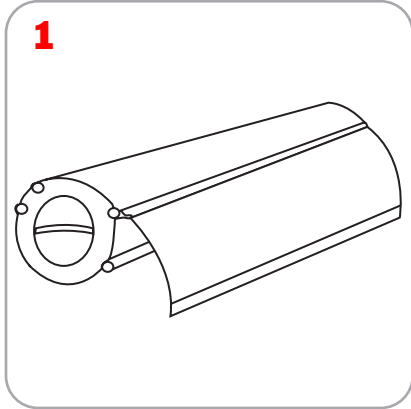
Adhesive Top Rail Attachment

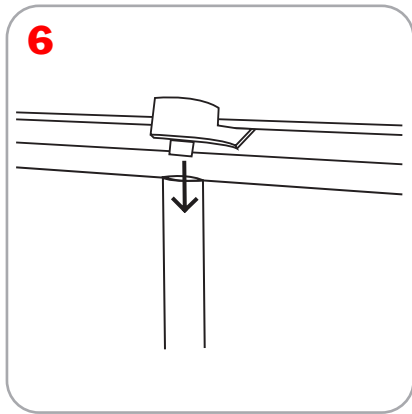
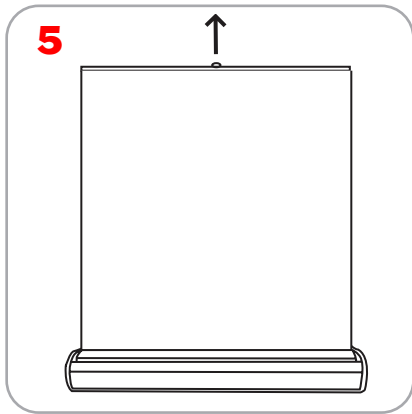


Grippa Top Rail Attachment



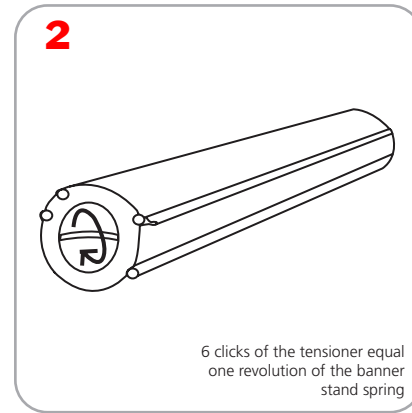
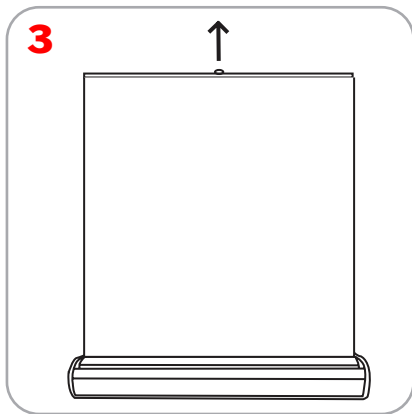
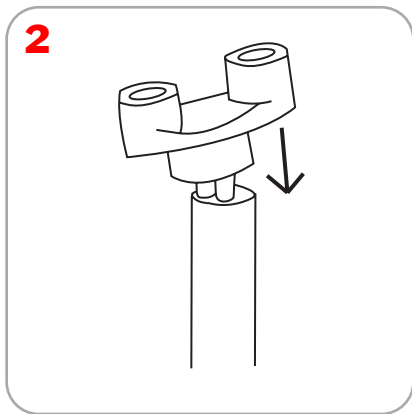
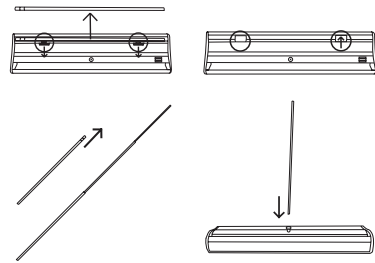
Bottom Graphic Attachment - Cassette



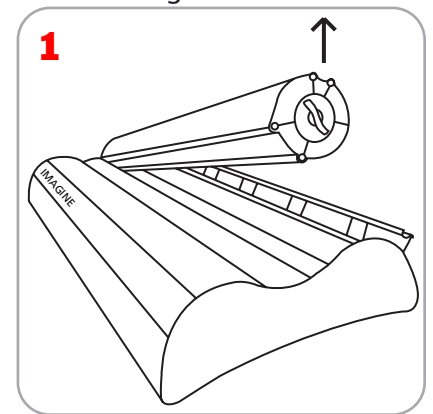


Double Sided

1 Follow steps 1-4 of Banner Stand Assembly



Retensioning



Add your own branding

