

# Contender

CN-24-B / CN-24-S  
 CN-30-B / CN-30-S  
 CN-36-B / CN-36-S  
 CN-48-B

The Contender has become a market leader proving its dependability time after time. A good all around work house, the Contender offers a strong construction combined with a sleek and ergonomic appearance. System comes with a carry bag and is available in black or silver.



## features and benefits:

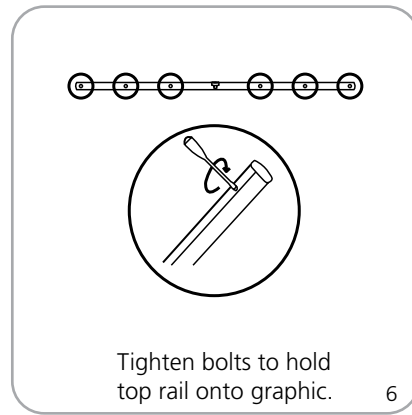
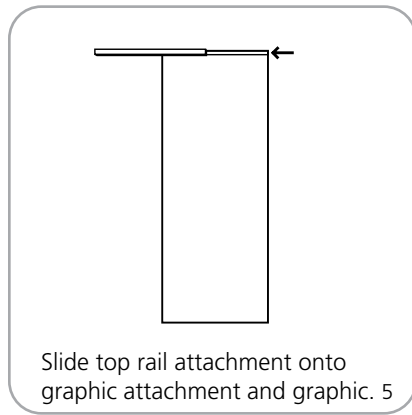
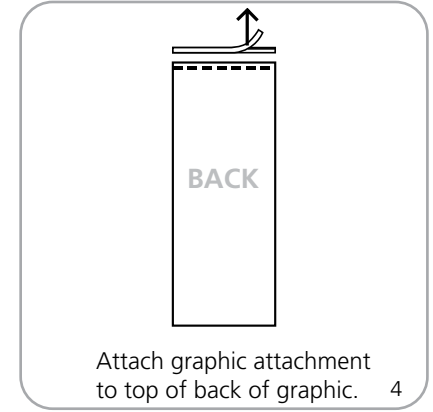
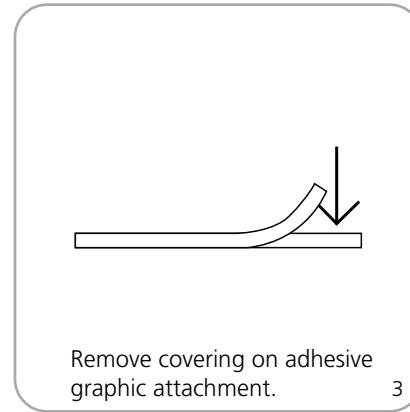
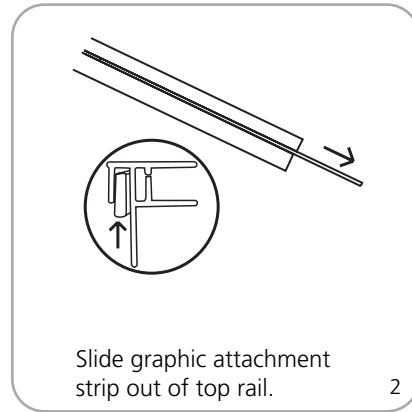
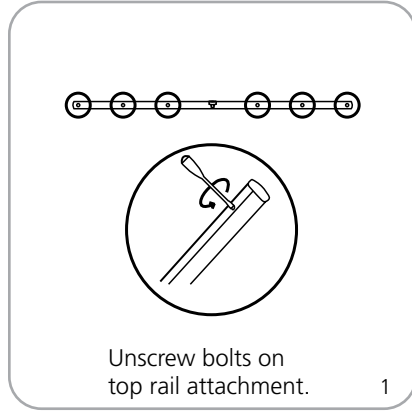
- Easily customizable heights
- American made
- Optional 4th pole for added height
- Supplied with quality carry bag
- Standard height of 79.25"
- Quick and easy to assemble
- Lifetime warranty against all manufacturer defects

## dimensions:

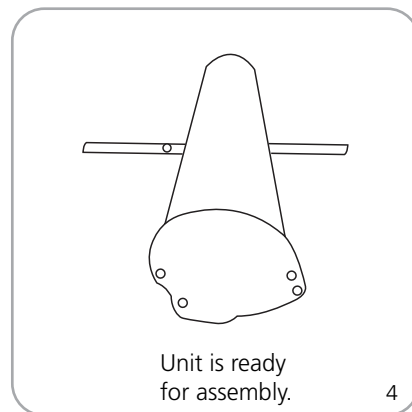
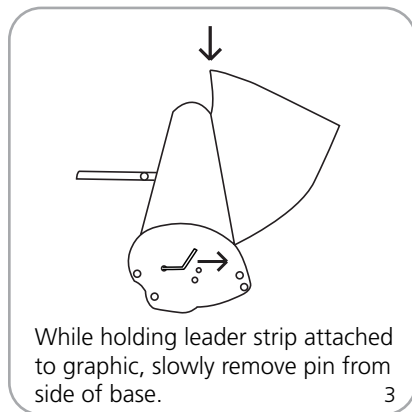
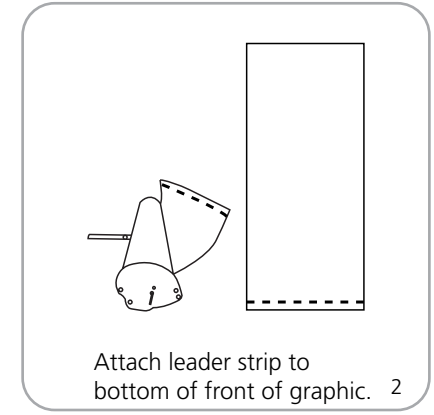
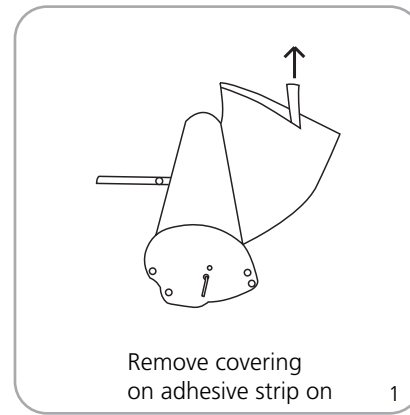
Hardware	Graphic
<p><b>Base dimensions:</b> (with swivel foot extended)</p> <p>Contender Mini:            16"l x 24.5"w x 3.25"h            406mm(l) x 622mm(w) x 83mm(h)</p> <p>Contender Standard:            16"l x 30.5"w x 3.25"h            406mm(l) x 775mm(w) x 83mm(h)</p> <p>Contender Mega:            16"l x 36.5"w x 3.25"h            406mm(l) x 927mm(w) x 83mm(h)</p> <p>Contender Monster:            16"l x 48.5"w x 3.25"h            406mm(l) x 1232mm(w) x 83mm(h)</p> <p>All bases are 4"w without swivel foot extended</p>	<p><b>Total visible area:</b></p> <p>Contender Mini:            23.5"w x 77.5"h            597mm(w) x 1969mm(h)</p> <p>Contender Standard:            29.5"w x 77.5"h            749mm(w) x 1969mm(h)</p> <p>Contender Mega:            35.5"w x 77.5"h            902mm(w) x 1969mm(h)</p> <p>Contender Monster:            47.5"w x 77.5"h            1207mm(w) x 1969mm(h)</p> <p><b>Total visible area with 4th pole:</b>            All Contenders will have same width dimensions listed above. The height will increase to 105" / 2667mm.</p>
<p><b>Shipping</b></p> <p><b>Shipping dimensions: (ships in one box)</b></p> <p>Contender Mini:            30"l x 6"w x 6"h            762mm(l) x 152mm(w) x 152mm(h)</p> <p>Contender Standard:            34"l x 6"w x 6"h            864mm(l) x 152mm(w) x 152mm(h)</p> <p>Contender Mega:            40"l x 6"w x 6"h            1016mm(l) x 152mm(w) x 152mm(h)</p> <p>Contender Monster:            52"l x 6"w x 5"h            1321mm(l) x 152mm(w) x 127mm(h)</p>	<p><b>additional information:</b></p> <p><b>Included in kit:</b>            Top rail, base, pole set and carry bag</p> <p>Graphic material: Flexible inkjet, fabric or vinyl, 12 mil max thickness</p> <p>Lighting is available</p>

We are continually improving and modifying our product range and reserve the right to vary the specifications without prior notice. All dimensions and weights quoted are approximate and we accept no responsibility for variance. E&OE. See Graphic Templates for graphic bleed specifications.

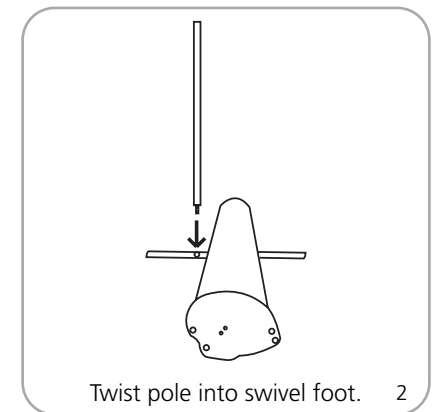
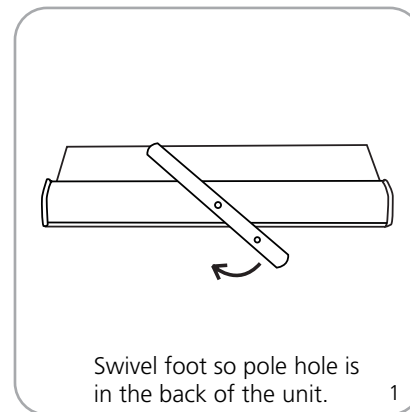
## Grippa Top Rail Attachment



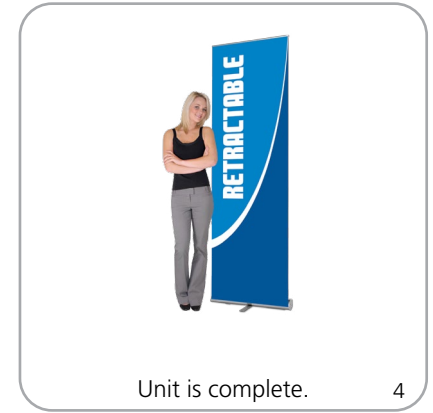
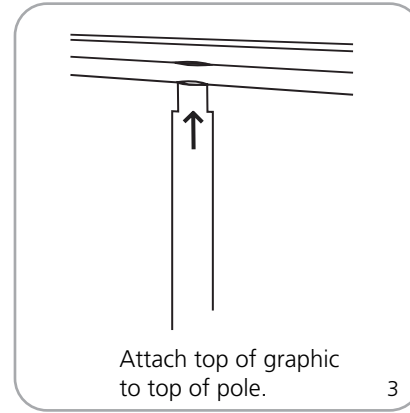
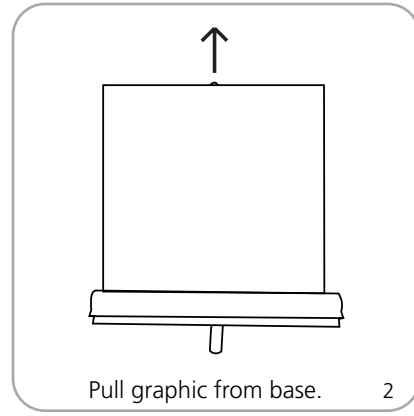
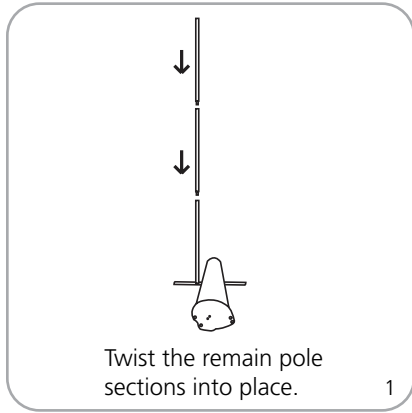
## Attaching Graphic to Leader Strip



## Assembly Instructions



## Assembly Instructions



## 4th Pole Attachment

