

# Excalibur

Stylish design and proven reliability make Excalibur a popular quality banner stand for prestige locations. Excalibur is a feature-rich single or double-sided retractable banner stand, and has been specially designed for maximum convenience and ease of use.



## Features and Benefits

- Variable height= 29.5"-83.35"
- Molded endplates
- Graphic tensioner
- Telescopic pole
- Supplied with quality carry bag
- Integrated pole storage for telescopic pole

## Dimensions

**Base Dimensions:**  
33.5" w x 10" d x 3.5" h  
850.9mm w x 254mm d x 88.9mm h

**Weight:** 13.2 lbs (w/ carry bag)  
6 kg (w/ carry bag)

**Graphic Dimensions:**  
31.5" w x 29.5" h up to 83.35" h (plus 1/2" bleed at the top and 6" bleed at the bottom)  
800.1mm w x 749.3mm h x 2117.1mm h (plus 12.7mm bleed at top and 304.8mm at bottom)

## Additional Information

**Shipping Weights & Dimensions:**  
36 x 13 x 5, 18 lbs

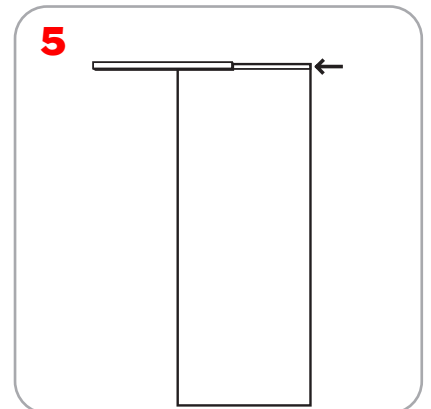
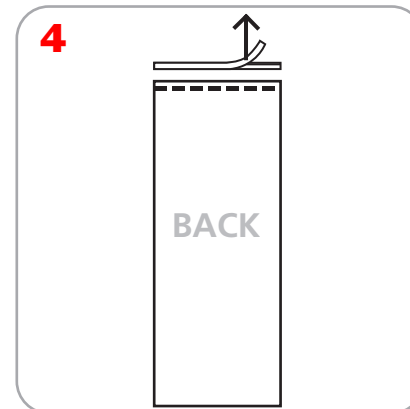
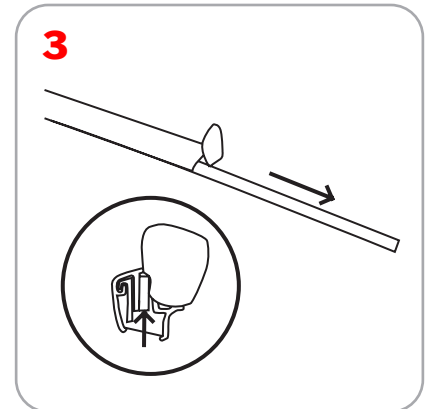
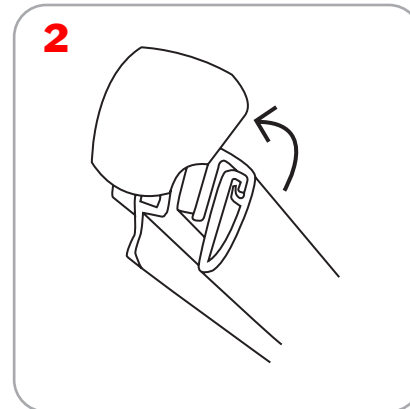
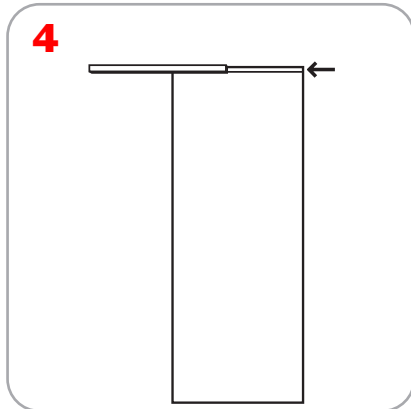
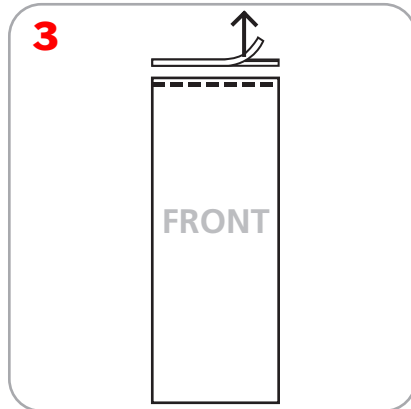
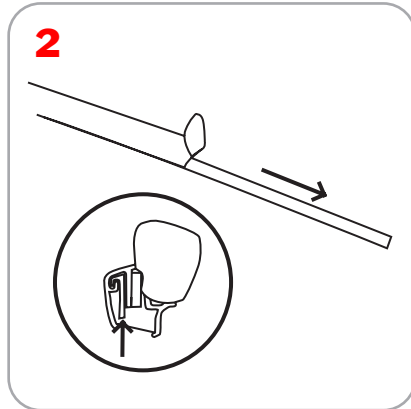
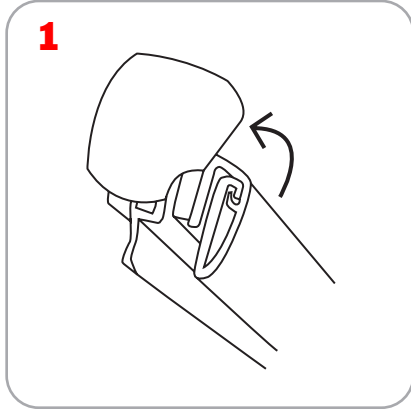
**Recommended Substrate:**  
13oz. smooth vinyl, 7oz. cotton, 14oz. anti-curl vinyl, 8oz. oxford, 11mil mellanex

Grippa top rail attachment recommended for semi-permanent or long term use. Adhesive top rail attachment recommended for short term or one time use.

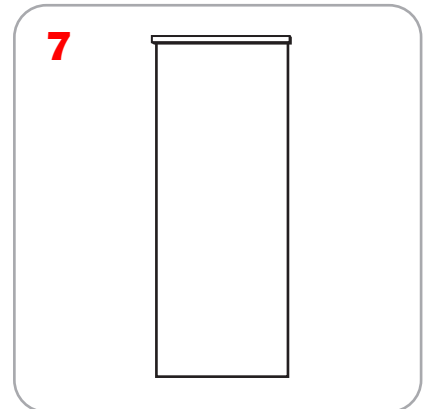
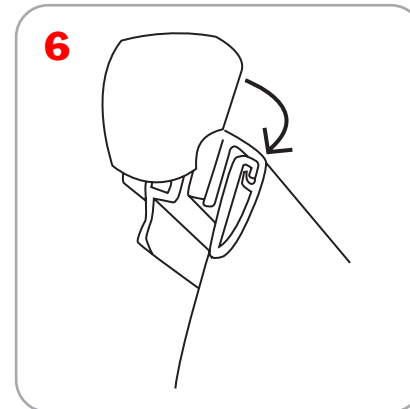
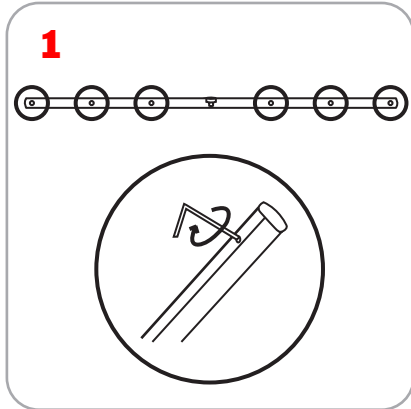
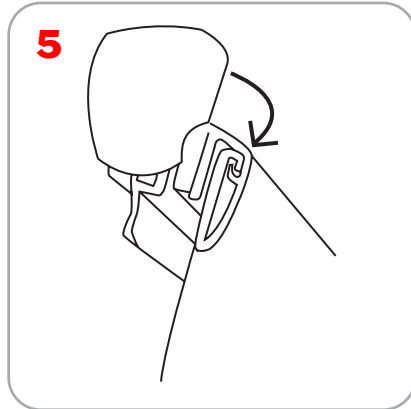
**WARNING:** Always attach graphic to base and top rail before removing the locking pin. After fitting, the graphic should be left for 24 hours before use to ensure the adhesive bonds sufficiently. Opening the base may invalidate the product warranty.

Graphic tension may be re-applied or added by turning the ratchet tensioner clockwise; 6 clicks of the ratchet tensioner equals 1 revolution of the banner stand spring. 35-45 revolutions will retension.

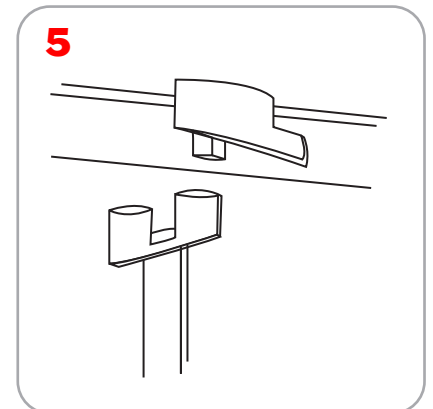
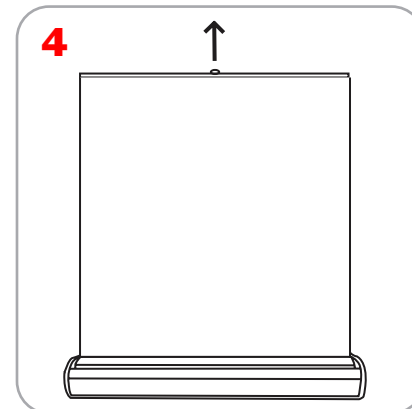
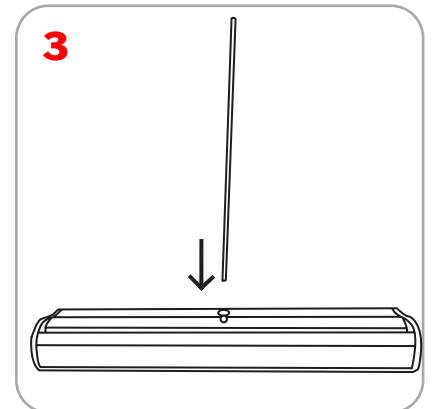
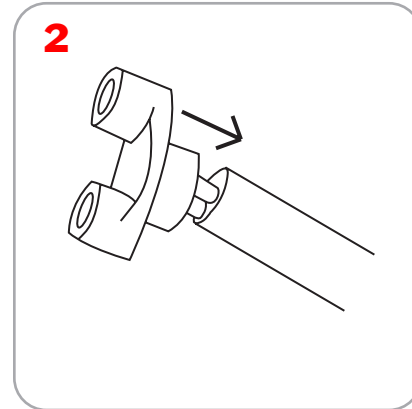
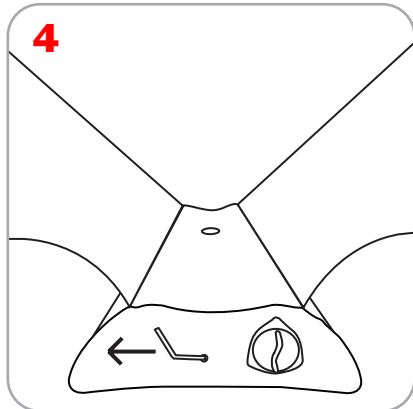
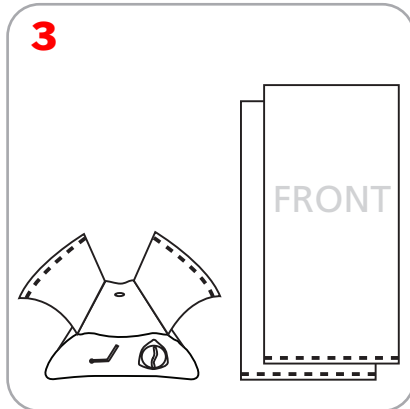
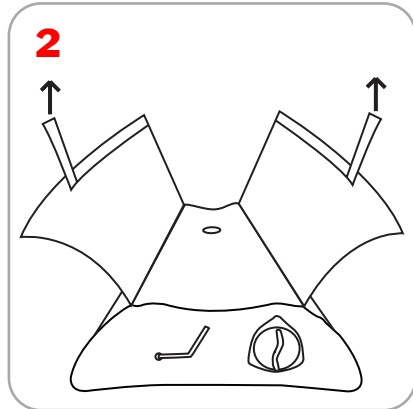
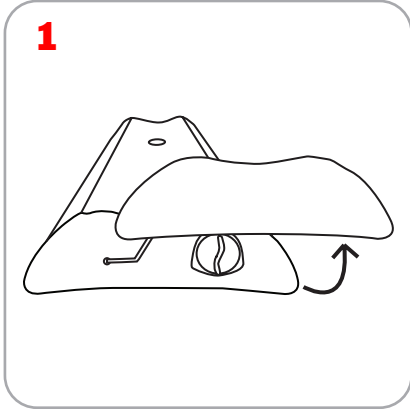
### Adhesive Top Rail Attachment



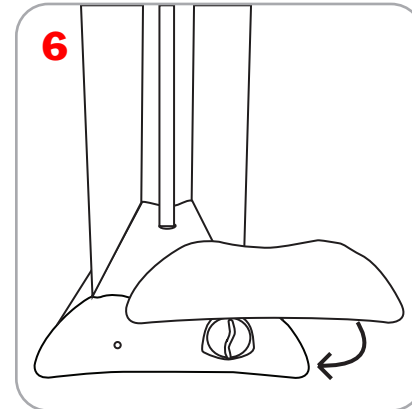
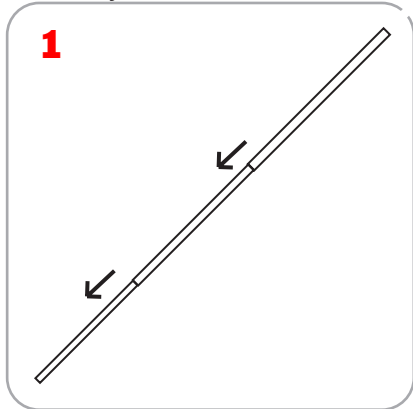
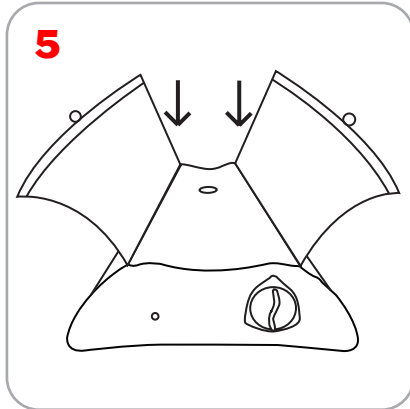
### Grippa Top Rail Attachment



Attaching Graphic to Leader strip

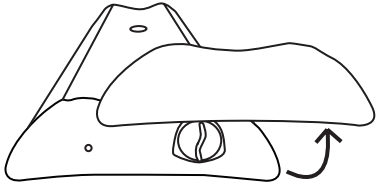


Assembly Instructions

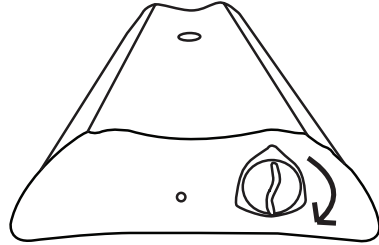


Retensioning

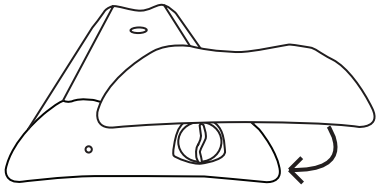
1



2



3



If you like the Excalibur, you might also like...



Imagine  
premium banner stand



ZedUp  
best selling literature rack



StormPro  
outdoor banner stand

Contact your dealer for a look at all of our exciting products

