

Vector Frame Kit 14

VF-K-14

The innovative, contemporary and clean appearance of the Vector Frame™ line of exhibit kits will captivate your audience. Kits feature push-fit fabric graphics, easy-to-assemble extrusion frames, accent lighting, tables, counters, literature accessories, monitor mounts and interior LED edge lighting where indicated.



features and benefits:

- 50mm silver extrusion frame
- Single-sided SEG dye-sublimated push-fit fabric graphics
- Simple step-by-step instructions
- Kit includes frame, one center fabric graphic panel, three fabric accent graphics, four rigid graphic accents, two 120 watt lights, and one wheeled molded case
- Lifetime hardware warranty against manufacturer defects

dimensions:

Hardware	Graphic
<p>Assembled unit: 118" w x 102" h x 19.5" d 2997.2mm(w) x 2590.8mm(h) x 495.3mm(d)</p>	<p>Total visual area: Dye sub panels: Panel E: 94.5" w x 70.86" h 2400mm(w) x 1800mm(h)</p> <p>Panels C & F: 94.5" w x 11.81" h 2400mm(w) x 300mm(h)</p> <p>Panel D: 45.25" w x 11.81" h 1149mm(h) x 300mm(w)</p>
<p>Shipping</p> <p>Shipping dimensions - ships in 1 case: 1 OCH2 case: 52" l x 30" w x 15" h 1320.8mm(l) x 762mm(w) x 381mm(h)</p> <p>Approximate shipping weight (entire kit): 110.74 lbs / 50.23 kgs</p>	<p>UV Panels: Panels A & H: 10.62" w x 45.27" h 270mm(w) x 1152mm(h)</p> <p>Panels B & G: 11.811" w x 45.27" h 300mm(w) x 1152mm(h)</p> <p>Please be sure to include a 2" bleed around the perimeter.</p> <p>Refer to related graphic templates for more information</p>

additional information:

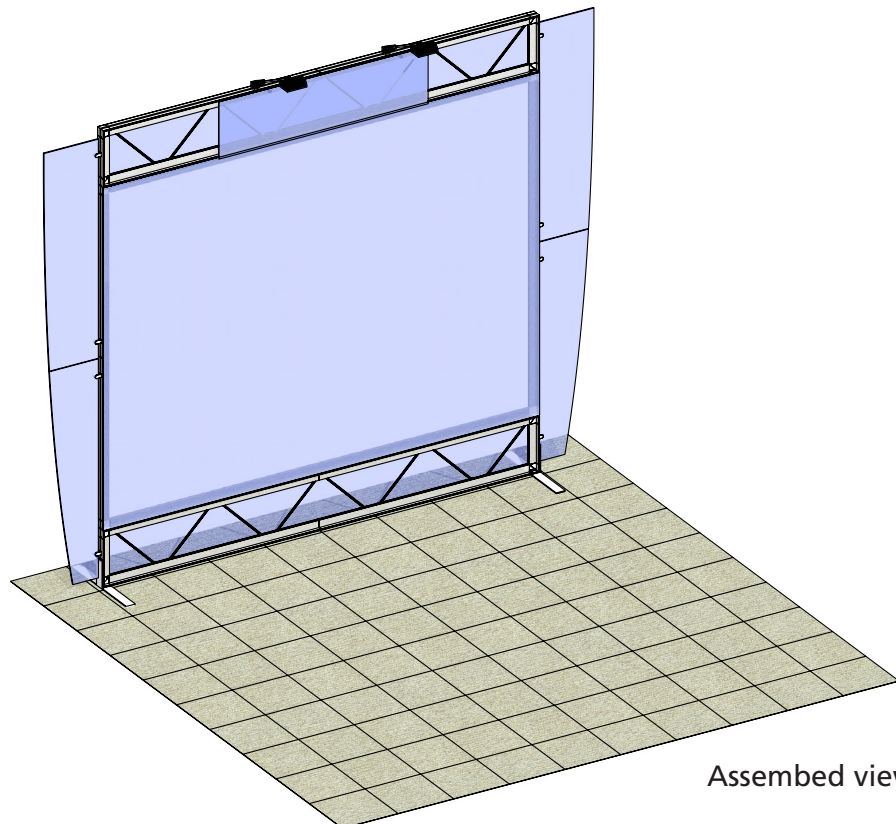
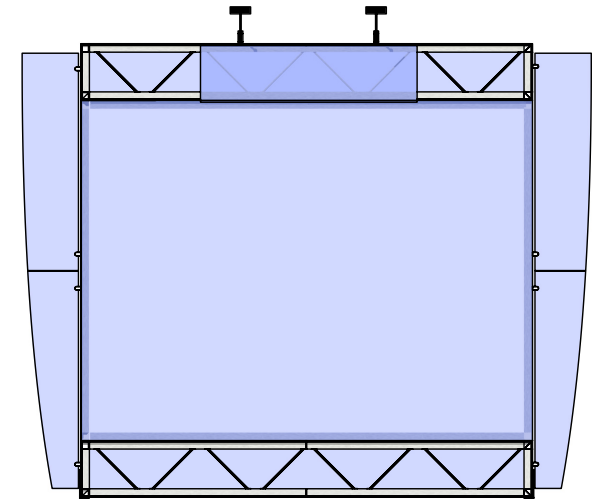
- | | |
|--|--|
| <p>Graphic material:
 Dye-sublimated fabric, rigid sintra graphics</p> | <p>Lights Included:
 Lumina 200 120 watt floodlight, curved arm, black finish, 19.5" from end to end</p> |
|--|--|

We are continually improving and modifying our product range and reserve the right to vary the specifications without prior notice. All dimensions and weights quoted are approximate and we accept no responsibility for variance. E&OE. See Graphic Templates for graphic bleed specifications.

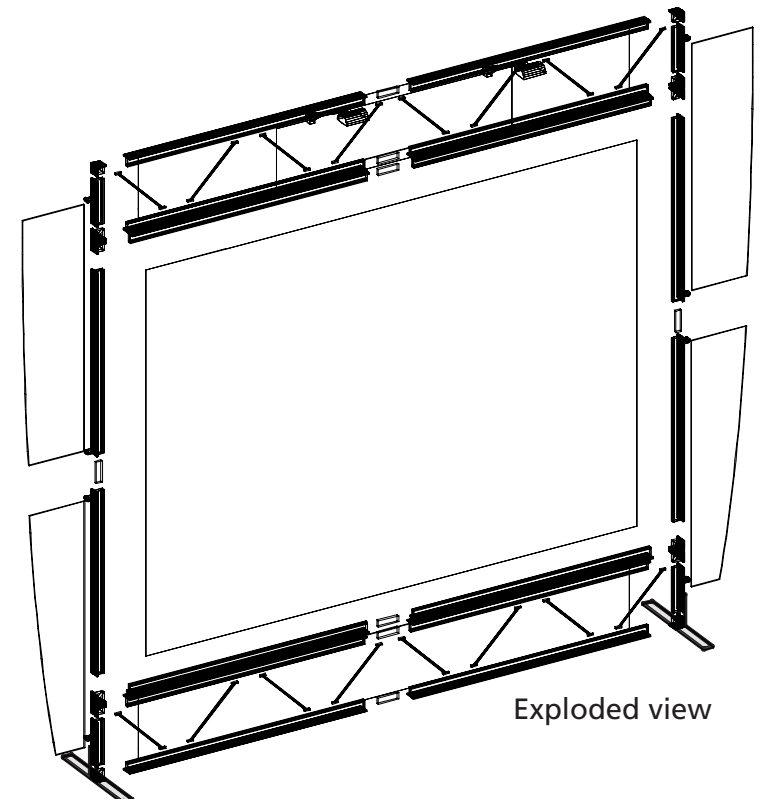
Parts Included:

Code	Qty	Description
VF-K-14-A-G	x1	300MM (11.81")W X 1150MM (45.27")H PVC GRAPHIC
VF-K-14-B-G	x1	270MM (10.62")W X 1152MM (45.27")H PVC GRAPHIC
VF-K-14-C-G	x1	2400MM (94.5")W X 300MM (11.81")H FABRIC GRAPHIC W/FCE-2 ALL SIDES
VF-K-14-D-G	x1	1152MM (45.27")W X 300MM (11.81")H FABRIC GRAPHIC W/FCE-2 ALL SIDES
VF-K-14-E-G	x1	2400MM (94.5")W X 1800MM (70.86")H FABRIC GRAPHIC W/FCE-2 ALL SIDES
VF-K-14-F-G	x1	2400MM (94.5")W X 300MM (11.81")H FABRIC GRAPHIC W/FCE-2 ALL SIDES
VF-K-14-G-G	x1	270MM (10.62")W X 1152MM (45.27")H PVC GRAPHIC
VF-K-14-H-G	x1	300MM (11.81")W X 1150MM (45.27")H PVC GRAPHIC
F39	x4	855MM (33.66") PHFC2 EXTRUSION WITH IB2 HOLE ONE SIDE - WITH LOCK ONE END
F44	x4	210MM (8.27") PHFC2 EXTRUSION
F34	x8	1155MM (45.47") PHFC2 EXTRUSION - WITH IB2 HOLE ONE SIDE - WITH LOCK ONE END
F33	x4	1155MM (45.47") PHFC2 EXTRUSION - WITH LOCK ONE END WITH BIKE LOCKS
SW-FOOT	x2	VECTOR FRAME SUPPORT FOOT
IB2	x8	PH INLINE CONNECTOR
CB9-S	x12	50MM SQUARE PHCF2 CORNER BRACKET
LUM-200-ORL-B LN-3P-LT-FXT	x2	BLACK 200W HALOGEN LIGHT FIXTURE ETL APPROVED
STS-1	x16	SLIM TRUSS SPACER
PANEL CLAMP	x8	7MM PLASTIC MOLDED PANEL CLAMP

VF-K-14



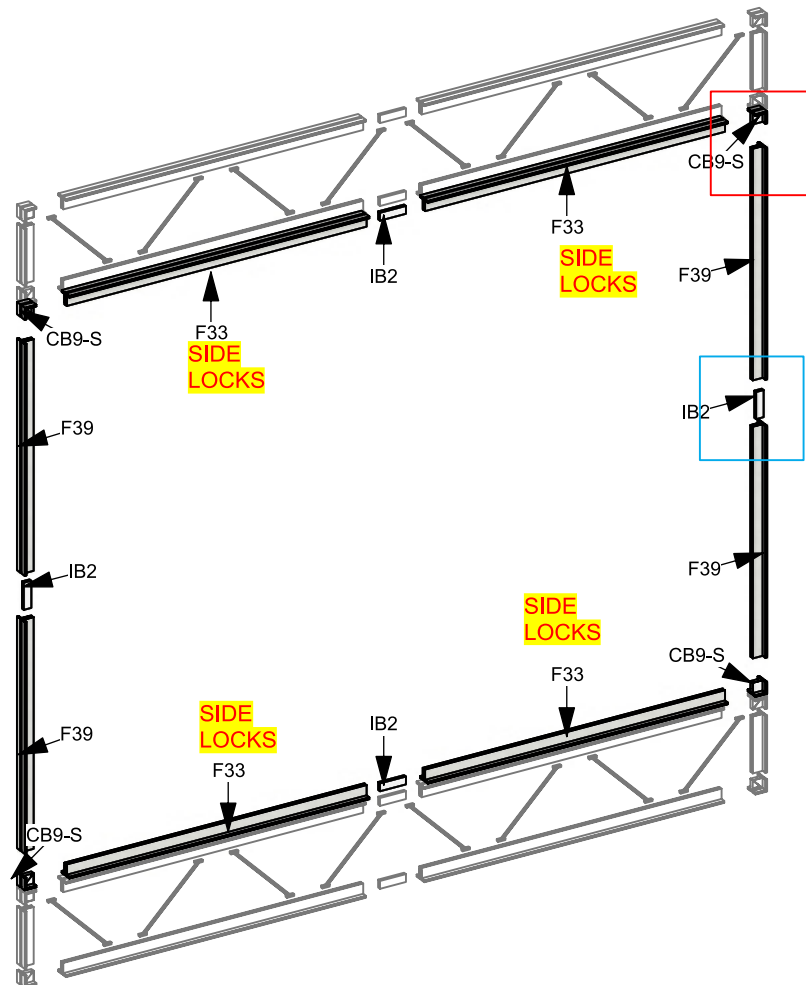
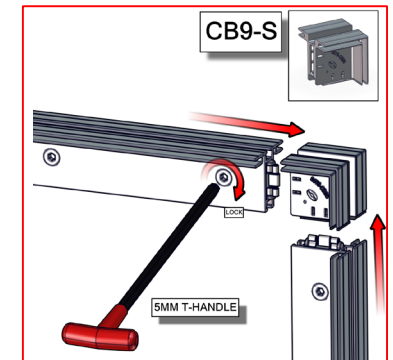
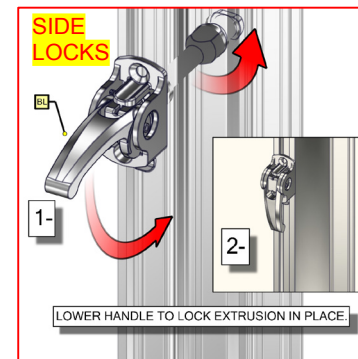
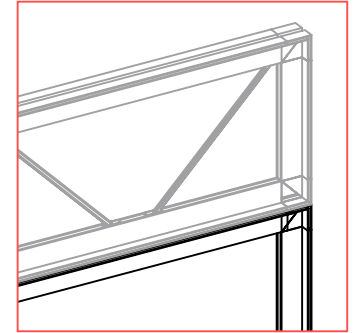
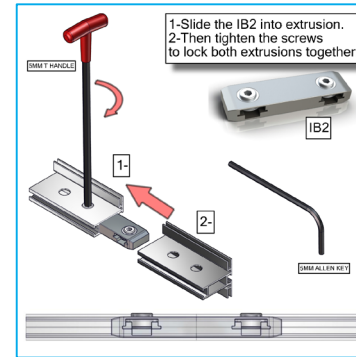
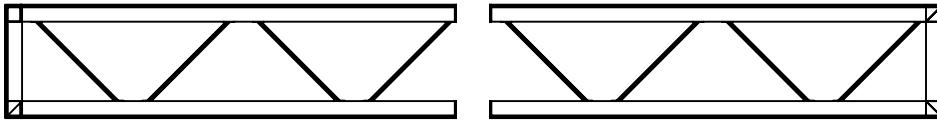
Assembled view



Exploded view

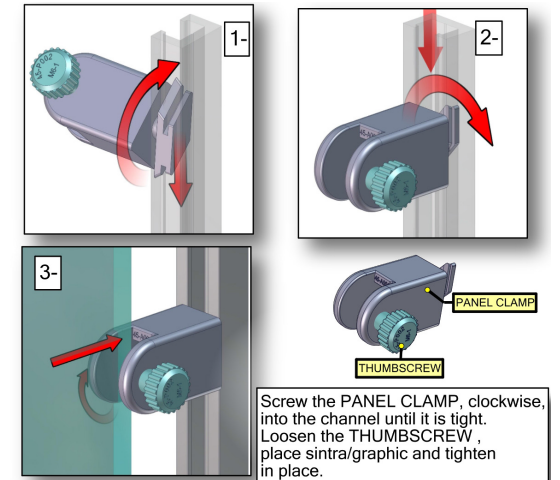
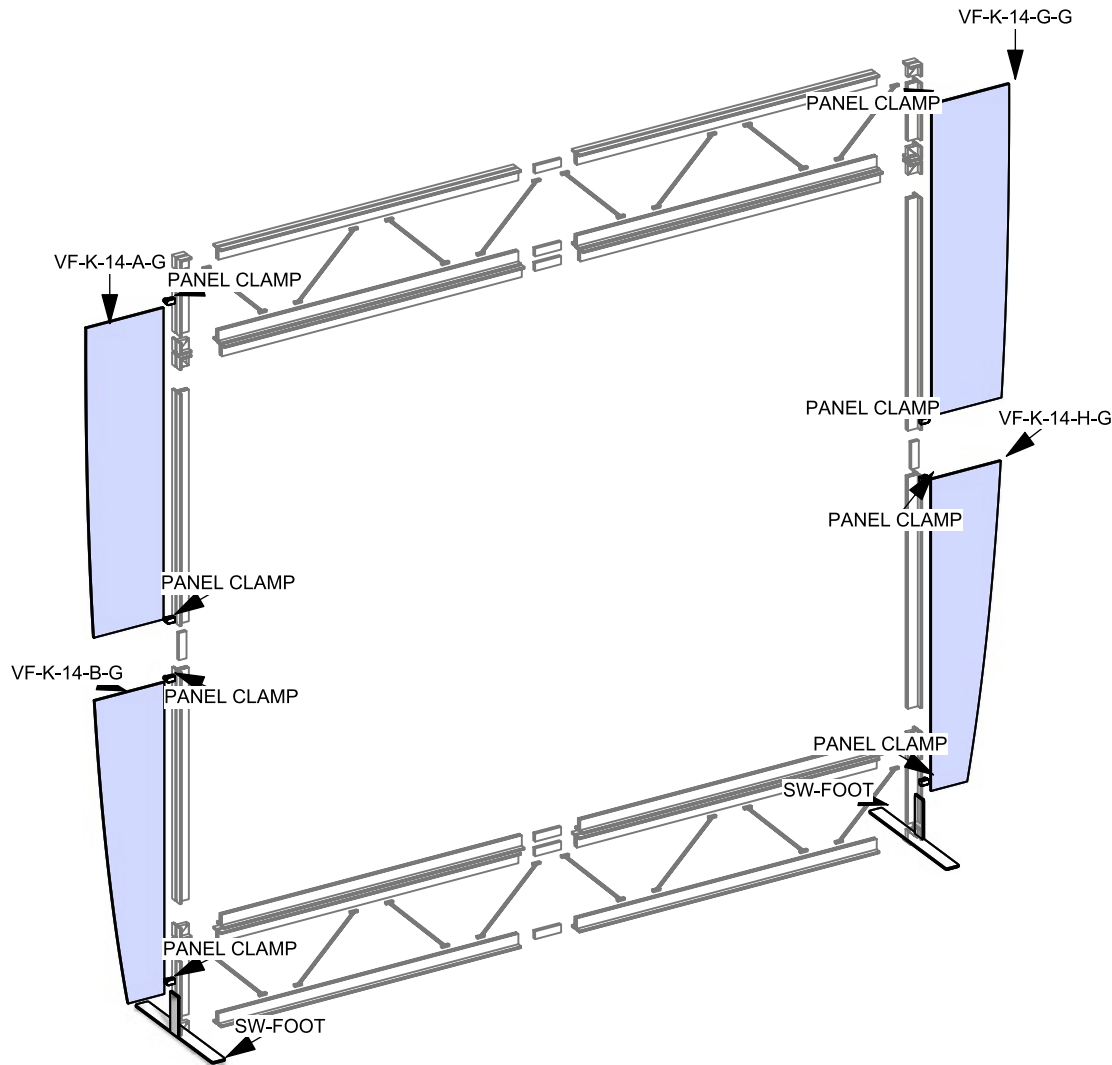
Step 1: Assemble Truss & Center Section

Arrange pieces on the floor as shown in the diagram below. First, connect top and bottom truss sections with IB2's. Slide IB2 into extrusion and tighten screws locking extrusions together. Assemble frame by securing CB9-S's to the F33 and F39s. When locking be sure to turn each cam a little bit and then go back and tighten to the proper tension. Take care to turn locks only half a turn. Slide the IB2 into the extrusion to connect sides. Tighten to the proper tension to lock extrusions together. To complete center section, insert side locks into extrusion and lower handle to lock extrusion into place.

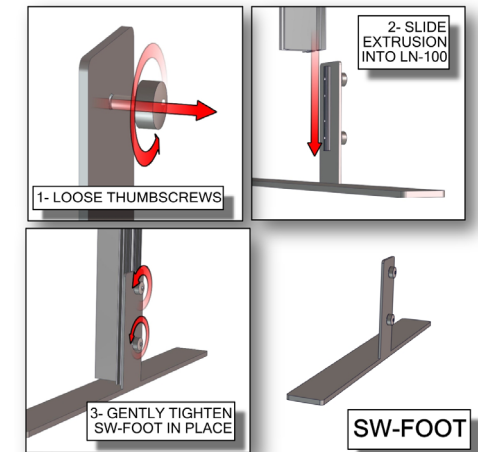


Step 2: Attach Accent Wings & Support Feet

To attach accent wings, screw panel clamps clockwise into the channel until tightened. Loosen the thumbscrew. Place rigid sintra graphics into place and tighten thumbscrew to secure. Overtightening can strip thumbscrew and damage graphic. To adhere foot to frame, loosen thumbscrews from foot. Slide extrusion into LN-100 groove. Tighten to the proper tension to secure supporting feet.



Over-tightening can cause to strip



Step 3: Apply Graphics & Install Lights

Install graphic(s) by pressing the FCE-2 edge of graphic into the channel of the extrusion. Start in upper left corner and insert in remaining corners, then push graphic into each side. Assure graphic is tightly inserted. VF-K-14-C-G and VF-K-14-F-C will be inserted on the back side of the extrusion behind the truss spacers. VF-K-14-D-G and VF-14-E-G will be inserts on the front side. When taking graphics off, take care to gently pull by attached pull tab. Slide light clip onto each light. Then slide light into the extrusion channel at an angle and gently lower down and repeat for each light.

