

# Vector Frame Kit 16

## VF-K-16

The innovative, contemporary and clean appearance of the Vector Frame™ line of exhibit kits will captivate your audience. Kits feature push-fit fabric graphics, easy-to-assemble extrusion frames, accent lighting, tables, counters, literature accessories, monitor mounts and interior LED edge lighting where indicated.



## features and benefits:

- 50mm silver extrusion frame
- Illuminated graphic panel with interior LED lighting top and bottom
- Single-sided SEG dye-sublimated push-fit fabric graphics
- Monitor Mount (MM-MB) can hold 26"-40" monitor/max weight 25 lbs
- Kit includes frame, four fabric graphic panels, one illuminated fabric graphic panel, one counter, monitor mount and three wheeled molded cases
- Lifetime hardware warranty against manufacturer defects

## dimensions:

Hardware	Graphic
<b>Assembled Unit:</b> 116" w x 95" h x 21.75" d 2946.4mm(w) x 2413mm(h) x 552.45mm(d)	<b>Total visual area:</b> Panel A: 15.61" w x 94.375" h 396.5mm(w) x 2397mm(h)  Panel B: 51.05" w x 94.375" h 1297mm(w) x 2397mm(h)  Panels C & E: 11.68" w x 94.375" h 296.6mm(w) x 2397mm(h)
<b>Shipping</b>  Shipping dimensions - ships in 3 cases: 3 OCH2 cases: 52" l x 30" w x 15" h 1320.8mm(l) x 762mm(w) x 381mm(h)  Approximate shipping weight (entire kit): 288.35 lbs / 130.79 kgs	Panel D: 47.125" w x 94.375" h 1199mm(w) x 2397mm(h)  Counter: Front (wraps around counter): 73.125" w x 39.25" h 1857mm(w) x 997mm(h)  Back: 11.35" w x 39.25" h 288mm(w) x 997mm(h)  Please be sure to include a 2" bleed around the perimeter. Refer to related graphic templates for more information.

## additional information:

Graphic Material:  
Dye-sublimated fabric

Tabletop color options:



Monitor not included

Monitor Mount (MM-MB) can hold 26"-40"; max weight = 25 lbs / 11.3 kgs

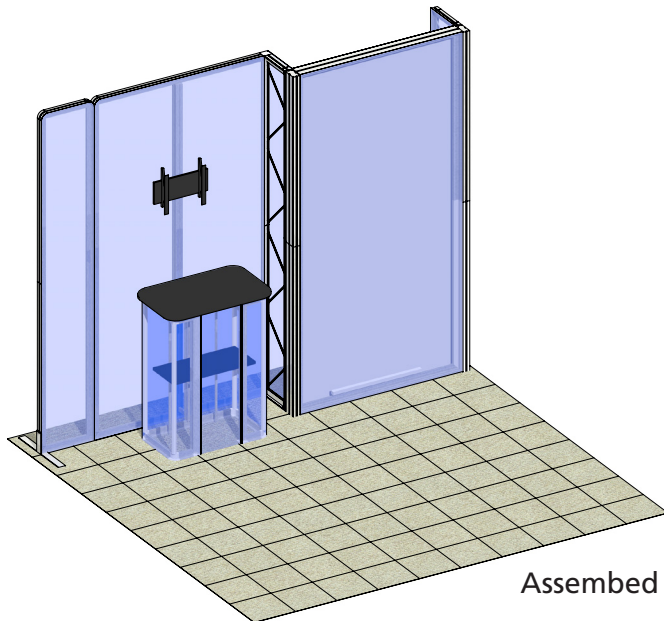
Counter max weight = 50 lbs / 22.68 kgs

Optional lighting available

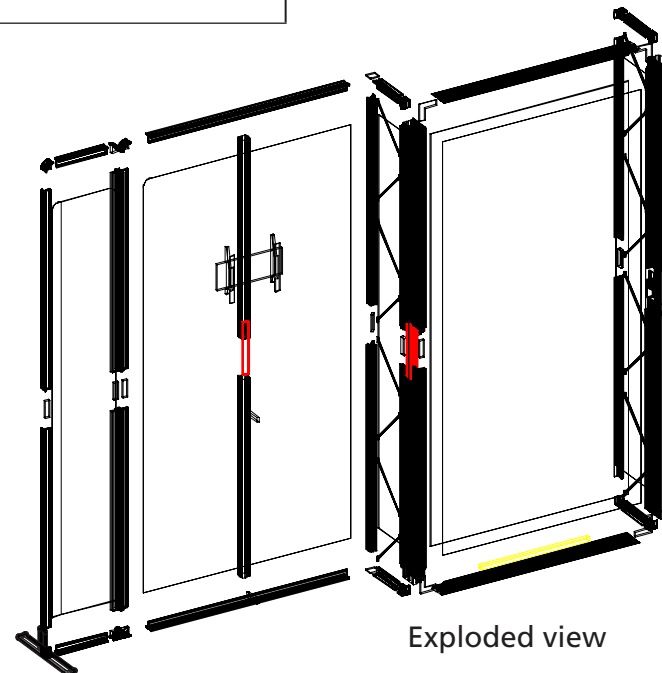
We are continually improving and modifying our product range and reserve the right to vary the specifications without prior notice. All dimensions and weights quoted are approximate and we accept no responsibility for variance. E&OE. See Graphic Templates for graphic bleed specifications.

## Parts Included:

Code	Qty	Description
VF-K-16-A-G	x1	400MM (15.74")W X 2400MM (94.5")H FABRIC GRAPHIC W/FCE-2 ALL SIDES
VF-K-16-B-G	x1	1300MM (51.18")W X 2400MM (94.5")H FABRIC GRAPHIC W/FCE-2 ALL SIDES
VF-K-16-C-G	x1	300MM (11.81")W X 2400MM (94.5")H FABRIC GRAPHIC W/FCE-2 ALL SIDES
VF-K-16-D-G	x1	1200MM (47.25")W X 2400MM (94.5")H FABRIC GRAPHIC W/FCE-2 ALL SIDES
VF-K-16-E-G	x1	300MM (11.81")W X 2400MM (94.5")H FABRIC GRAPHIC W/FCE-2 ALL SIDES
PMFC2-90-CAP	x2	PMFC2 90 DEGREE EXTRUSION CAP
STS-1	x16	SLIM TRUSS SPACER
MM-MB	x1	MEDIUM MONITOR BRACKET FOR MONITORS 26" - 40"
SW-FOOT	x1	VECTOR FRAME SUPPORT FOOT
IB2	x9	PH INLINE CONNECTOR
CB9-S	x9	50MM SQUARE PHCF2 CORNER BRACKET
CB9-R	x3	50MM ROUND PHCF2 CORNER BRACKET
CB9	x4	CB9 CORNER BRACKET
F23	x2	1193MM (46.97") PHFC2-90 EXTRUSION - WITH IB2 LOCK HOLES BOTH SIDES
F25	x2	1200MM LENGTH OF PHFC4 EXTRUSION - WITH MITRE CUT FOR CB9 BOTH SIDES
F26	x4	1200MM (47.24") PHFC4 EXTRUSION WITH MITRE CUT ONE END FOR CB9 ONE END - IB2 HOLES ONE END WITH BIKE LOCKS
F32	x2	1200MM (47.24") PHFC2 EXTRUSION WITH LOCKS TWO ENDS
F33	x6	1155MM (45.47") PHFC2 EXTRUSION WITH LOCK ONE END WITH BIKE LOCKS
F34	x6	1155MM (45.47") PHFC2 EXTRUSION WITH LOCK ONE END
F43	x2	300MM (11.81") PHFC2 EXTRUSION WITH LOCKS TWO ENDS
F44	x4	210MM (8.28") PHFC2 EXTRUSION
LED KIT	x1	LED LIGHTING KIT
VE-01	x4	1200MM (47.24") 100MM PM4S3 RECTANGULAR EXTRUSION WITH PH2 STOP AT 155MM
VE-13	x2	300MM (11.81") PH2 CONNECTOR WITH TENSION GLIDES
VE-45	x1	PH4SC-300MM (11.81") EXTRUSION WITH TENSION GLIDES
VE-67	x2	1155MM (45.47") PM2S2 EXTRUSION WITH CAM LOCK ON END AND STOP ON ONE END
VE-76	x2	100MM (3.94") PH1 EXTRUSION WITH LOCKS TWO ENDS



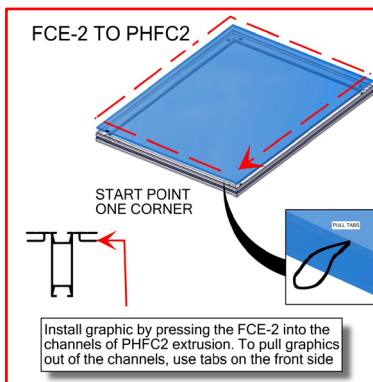
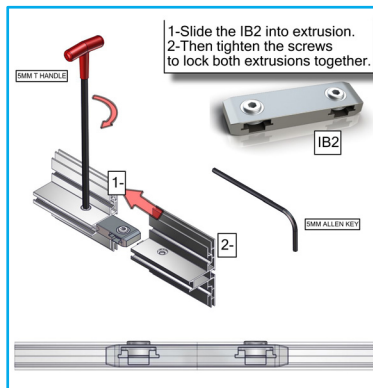
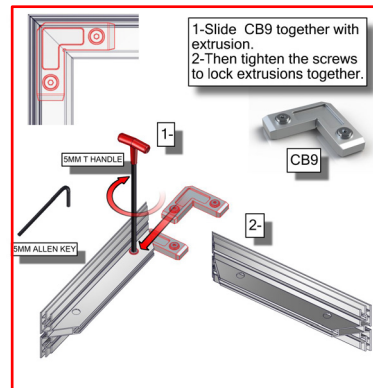
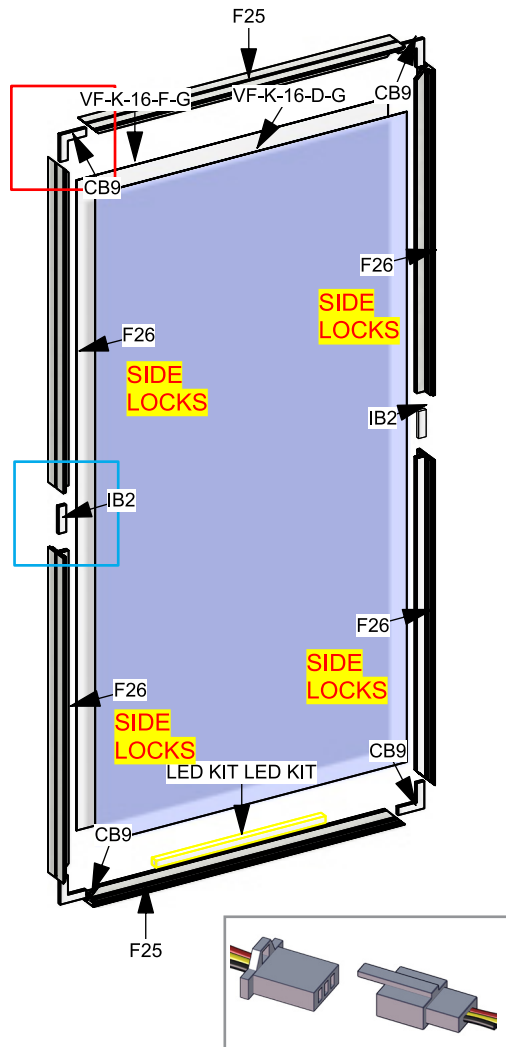
Assembled view



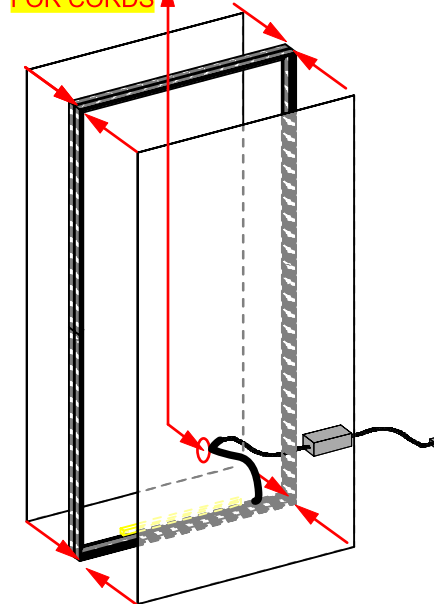
Exploded view

## Step 1: Assemble Right Frame

Arrange pieces on the floor as shown in the diagram below. Assemble frame by securing CB9's to the F26s and F25. When locking be sure to turn each cam a little bit and then go back and tighten to the proper tension. Take care to turn locks only half a turn. Slide the IB2 into the extrusion to connect sides. Tighten to the proper tension to lock extrusions together. Lights come adhered to the bottom F25. Ensure lighting strips are connected. Install graphic(s) by pressing the FCE-2 edge of graphic into the channel of the extrusion. Start in upper left corner and insert in remaining corners, then push graphic into each side. Assure graphics are tightly inserted.



**NOTE: FABRIC GRAPHIC HAS A HOLE ON THE BOTTOM RIGHT CORNER FOR CORDS**



Push fabric with FCE-2 edge folded over into each corner of frame.



Press into the middle of the inside channel and continue around perimeter.

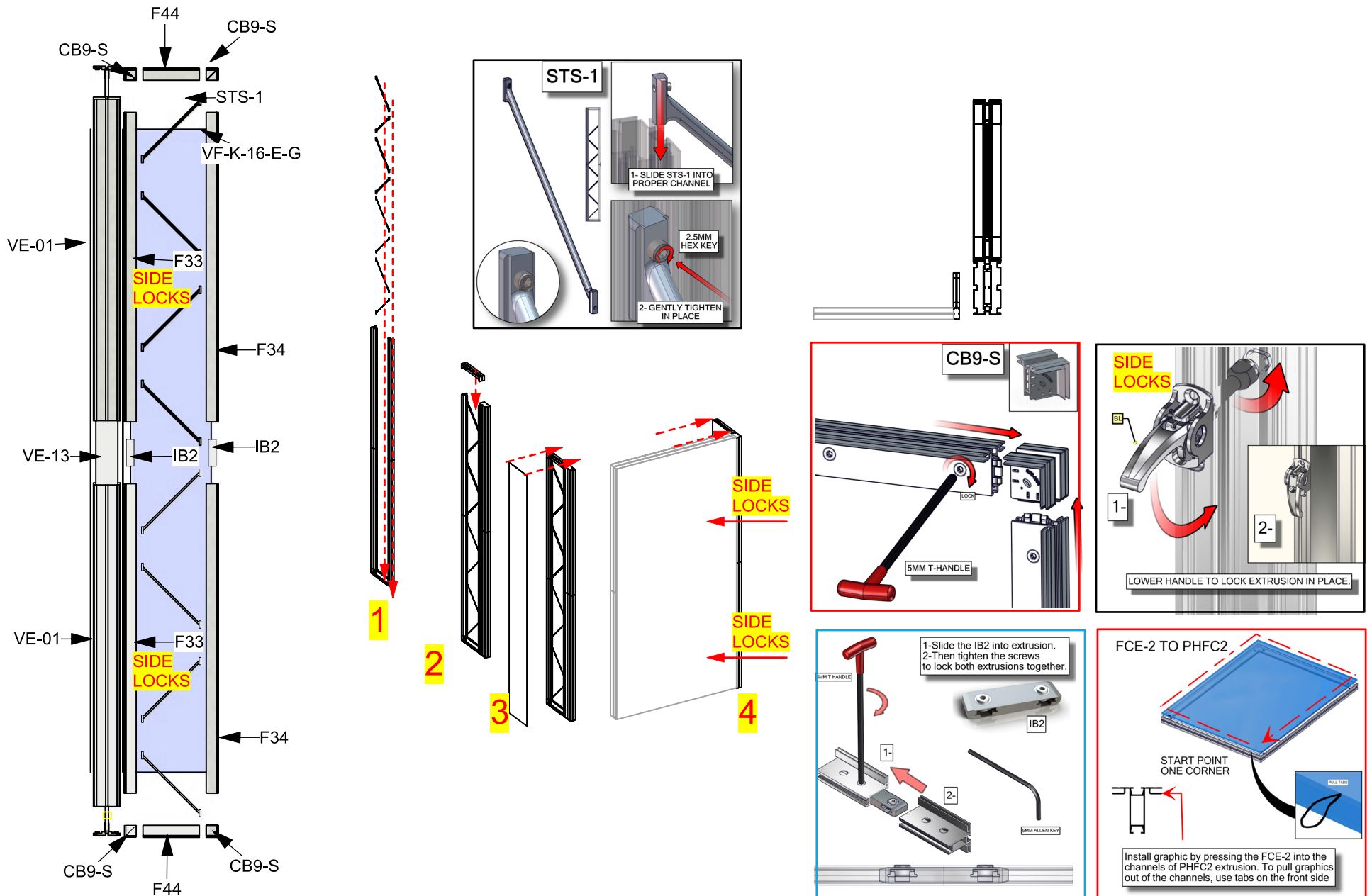


To remove graphic, use the pull tab and gently pull graphic from frame.

**Graphic Storage & Care:** Graphics should be folded with the graphic facing inward and stored in a ziplock / sealable plastic bag. Spot clean by wiping with a damp white cloth. If washing is necessary, use a commercial size front-loading washing machine, gental cycle with cool water. Line dry flat. Dry cleaning is NOT recommended to prevent shrinkage.

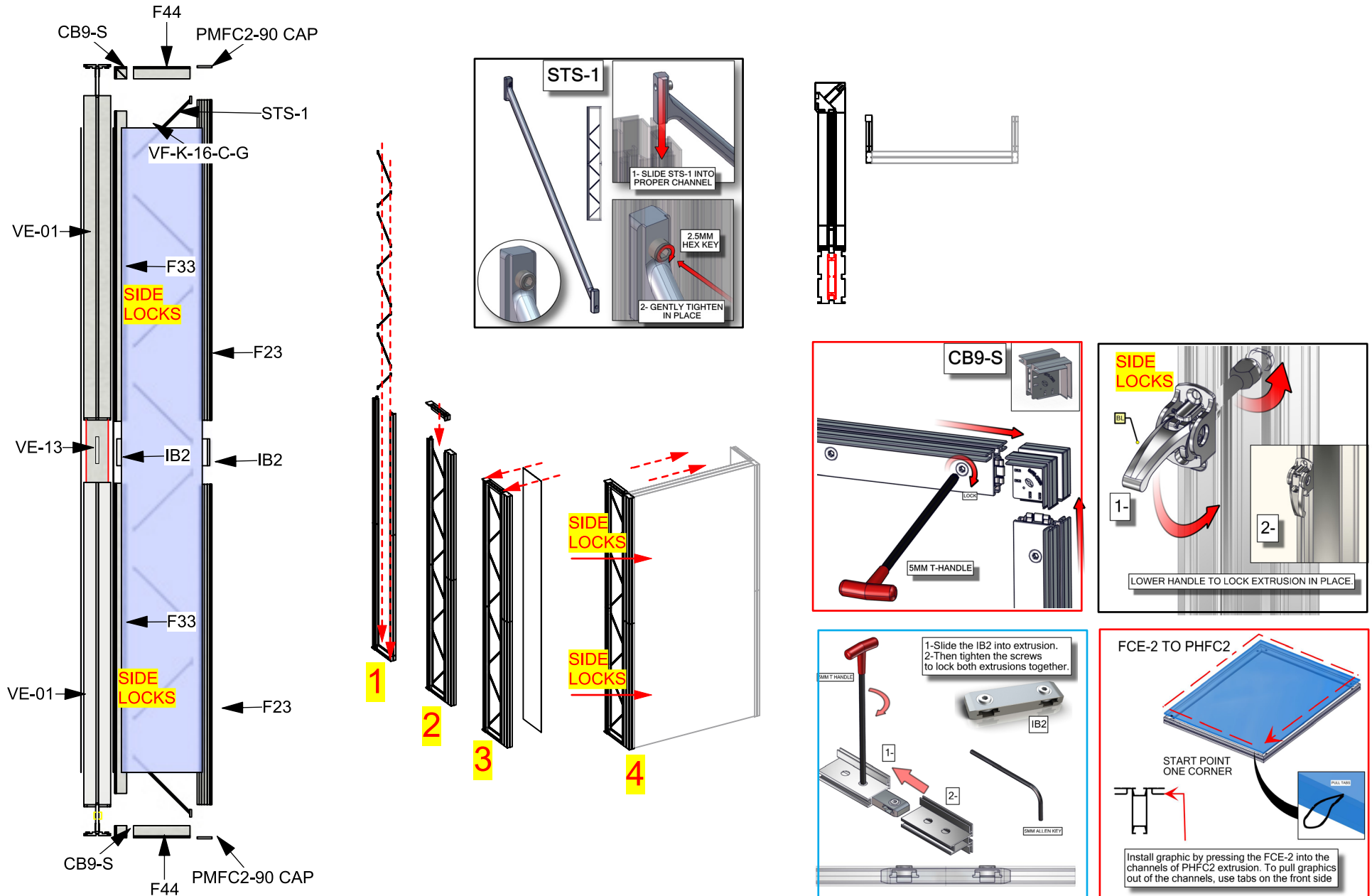
## Step 2: Assemble Truss End Section

Arrange pieces on the floor as shown in the diagram below. When locking be sure to turn each cam a little bit and then go back and tighten to the proper tension. Take care to turn locks only half a turn. Slide the IB2 into the extrusion to connect sides. Tighten to the proper tension to lock extrusions together. Install graphic(s) by pressing the FCE-2 edge of graphic into the channel of the extrusion. Start in upper left corner and insert in remaining corners, then push graphic into each side. Assure graphics are tightly inserted.



### Step 3: Assemble Truss Center Section

Arrange pieces on the floor as shown in the diagram below. When locking be sure to turn each cam a little bit and then go back and tighten to the proper tension. Take care to turn locks only half a turn. Slide the IB2 into the extrusion to connect sides. Tighten to the proper tension to lock extrusions together. Install graphic(s) by pressing the FCE-2 edge of graphic into the channel of the extrusion. Start in upper left corner and insert in remaining corners, then push graphic into each side. Assure graphics are tightly inserted.

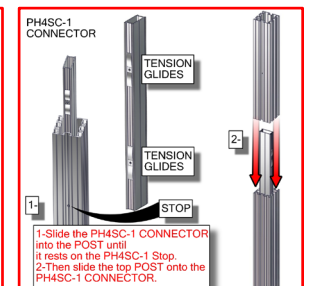
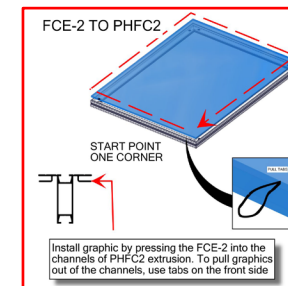
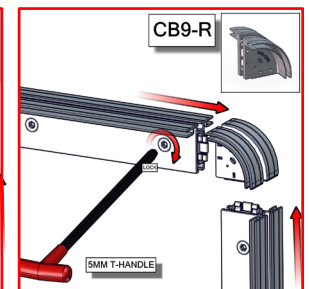
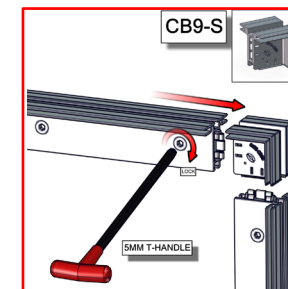
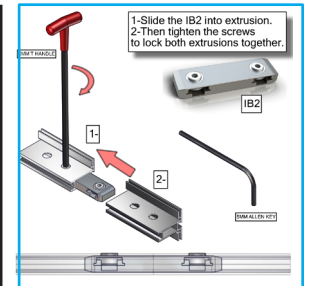
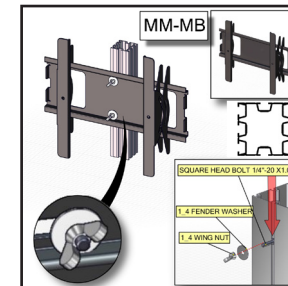
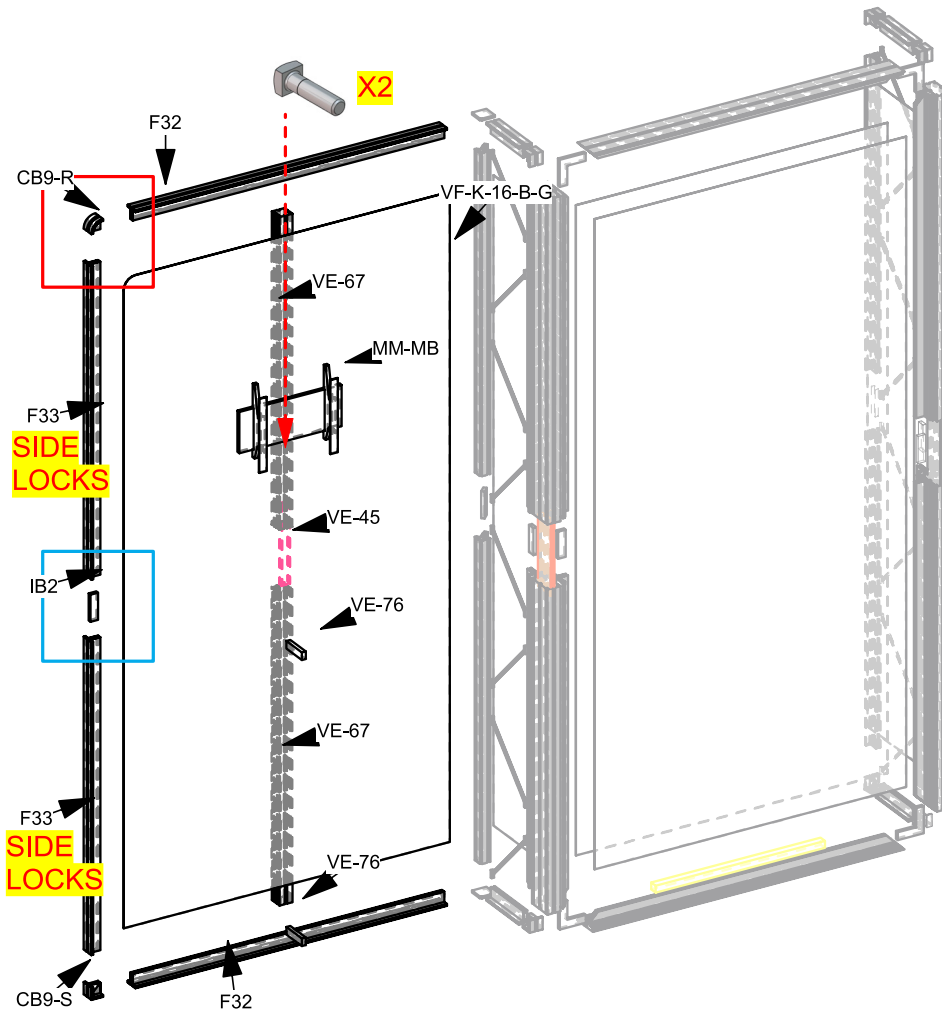
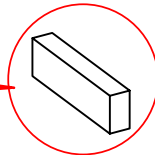
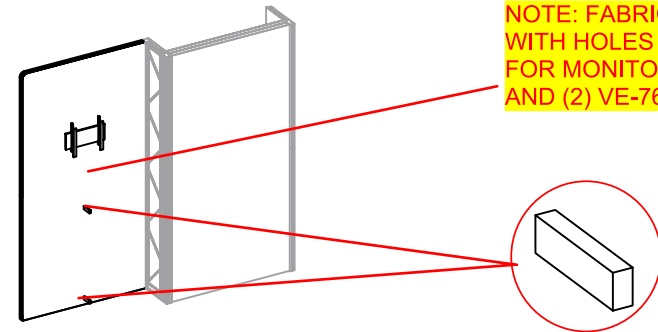


## Step 4: Assemble Center Frame & Monitor Mount

Arrange pieces on the floor as shown in the diagram below. To assemble frame, start at bottom locking CB9's to the F32s and F33s. When locking be sure to turn each cam a little bit and then go back and tighten to the proper tension. Take care to turn locks only half a turn. Slide the IB2 into the extrusion to connect sides. Tighten to the proper tension to lock extrusions together. **\*Important:** before securing F32 at top, insert square head bolt into extrusion and secure monitor mount with washer and wingnut.

Install graphic(s) by pressing the FCE-2 edge of graphic into the channel of the extrusion. Start in upper left corner and insert in remaining corners, then push graphic into each side. Assure graphics are tightly inserted.

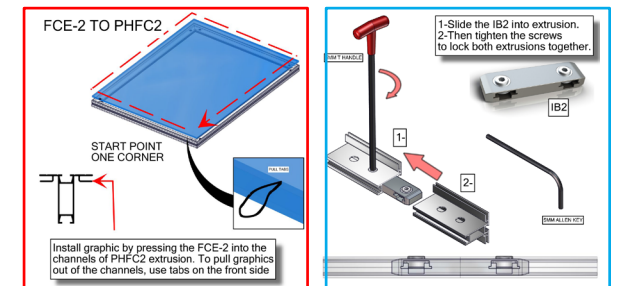
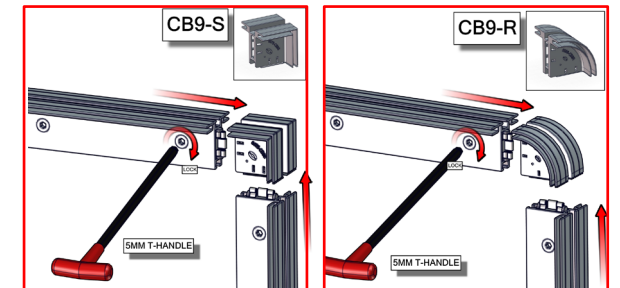
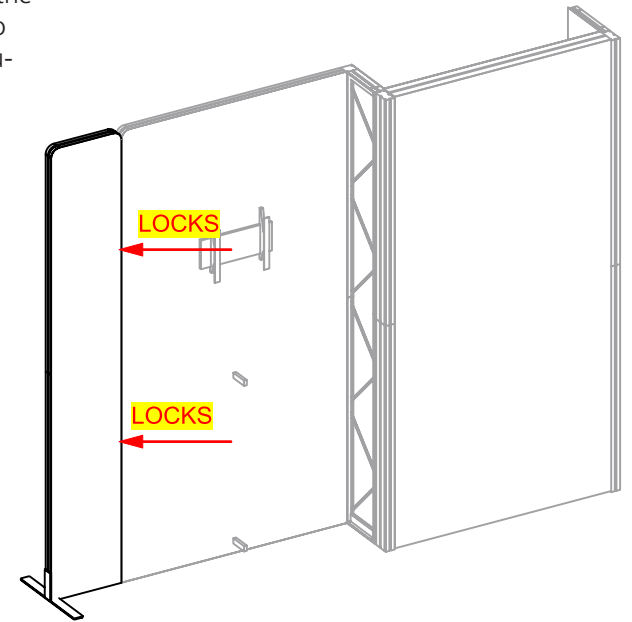
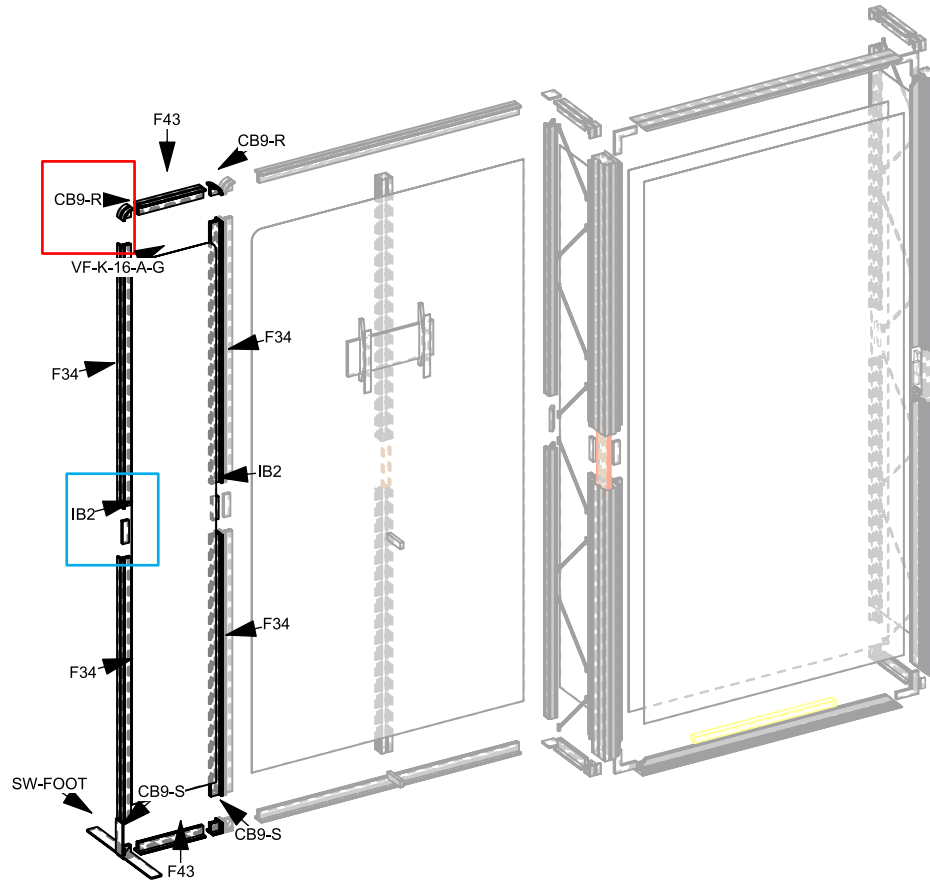
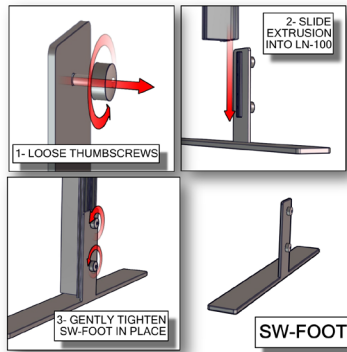
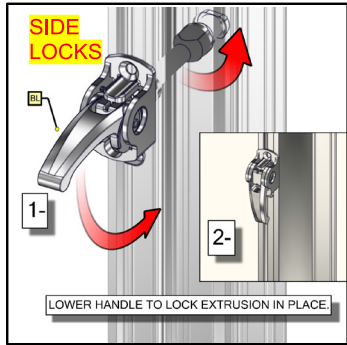
**NOTE: FABRIC GRAPHICS WITH HOLES, (2) FOR MONITOR MOUNT AND (2) VE-76**



## Step 5: Assemble Left Frame

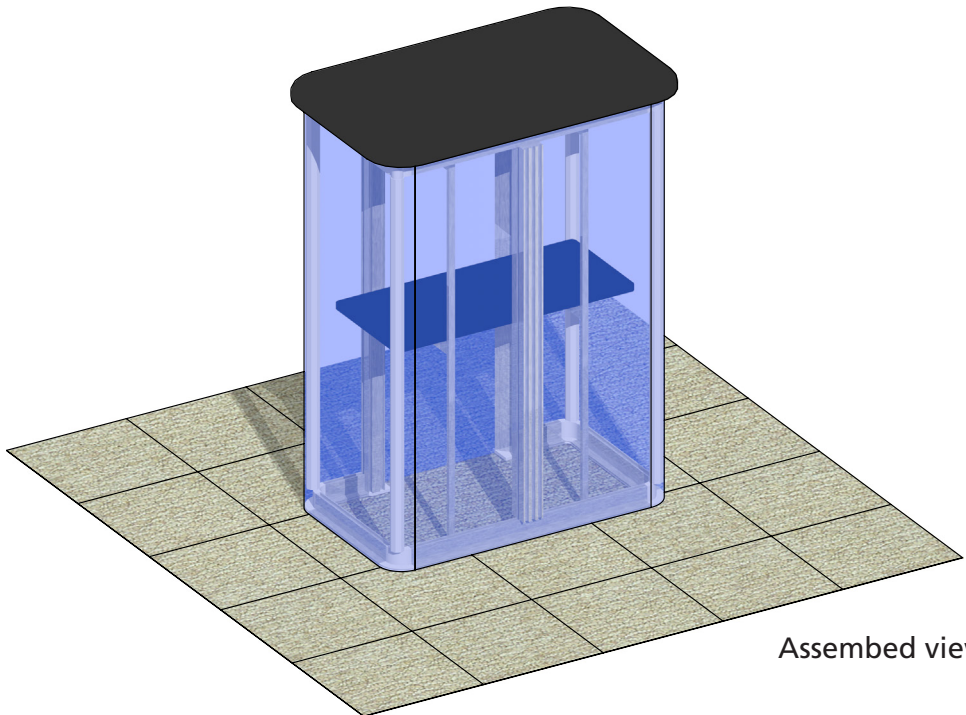
Arrange pieces on the floor as shown in the diagram below. To assemble frame, lock CB9-R's on top and CB9-S's on bottom to the F34s and F43s. When locking be sure to turn each cam a little bit and then go back and tighten to the proper tension. Take care to turn locks only half a turn. Slide the IB2 into the extrusion to connect sides. Tighten to the proper tension to lock extrusions together. To adhere foot to frame, loosen thumbscrews from foot. Slide extrusion into LN-100 groove. Tighten to the proper tension to secure supporting feet.

Install graphic(s) by pressing the FCE-2 edge of graphic into the channel of the extrusion. Start in upper left corner and insert in remaining corners, then push graphic into each side. Assure graphics are tightly inserted.

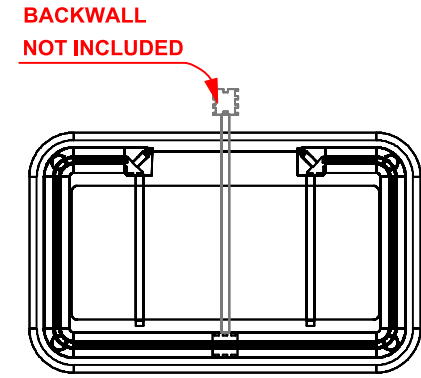


Parts Included:

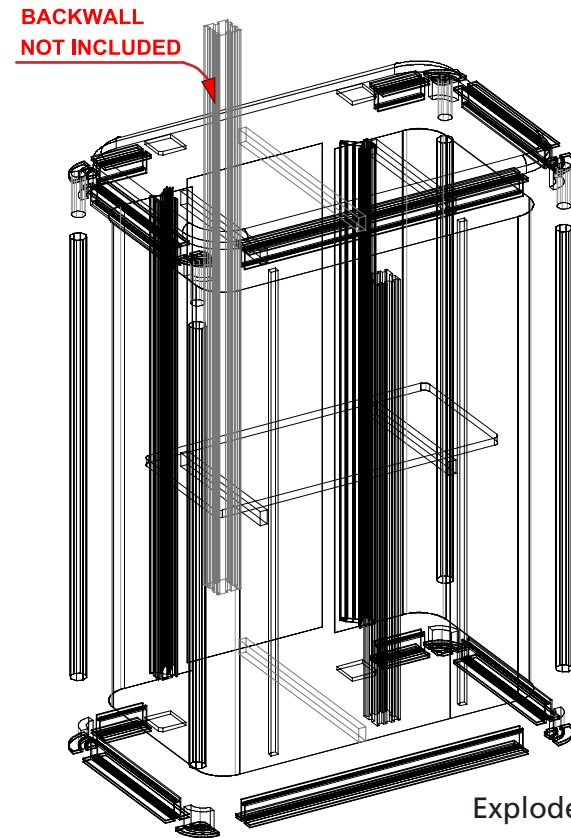
Code	Qty	Description
CB10-R	x8	50MM ROUND PHCF2 CORNER BRACKET
F24	x2	986MM (38.32") PMFC2-90 EXTRUSION - WITH IB2 LOCK HOLES BOTH SIDES
F40	x2	600MM (23.62") PHFC2 EXTRUSION WITH LOCKS TWO ENDS
F43	x4	300MM (11.81") PHFC2 EXTRUSION WITH LOCKS TWO ENDS
F48	x4	100MM (3.94") PHFC2 EXTRUSION WITH LOCKS TWO ENDS
VFC-04-CT	x1	COUNTERTOP FOR VECTOR COUNTER VFC-04
VFC-04-CT-S	x1	INTERNAL SHELF FOR VECTOR COUNTER VFC-04
VFC-04-A-G	x1	1860MM (73.25")W X 1000MM (39.38")H FABRIC GRAPHIC W/FCE-2 ALL SIDES
VFC-03-B-G	x1	291MM (11.48") X 1000MM (39.38")H FABRIC GRAPHIC W/FCE-2 ALL SIDES
TUBE-30-910	x4	910MM (35.82") LENGTH 30MM (1.18") TUBE
PMFC2-90 CAP	x4	PMFC2 90 DEGREE EXTRUSION CAP
VE-80	x4	288MM (11.34") PH1 EXTRUSION WITH IB2 LOCK HOLES BOTH SIDES
VE-68	x1	910MM (35.82") 50MM PM2S SQUARE EXTRUSION WITH LOCKS TWO ENDS
PE-1000	x2	1000MM (39.38") PE EXTRUSION



Assembled view



Overhead view

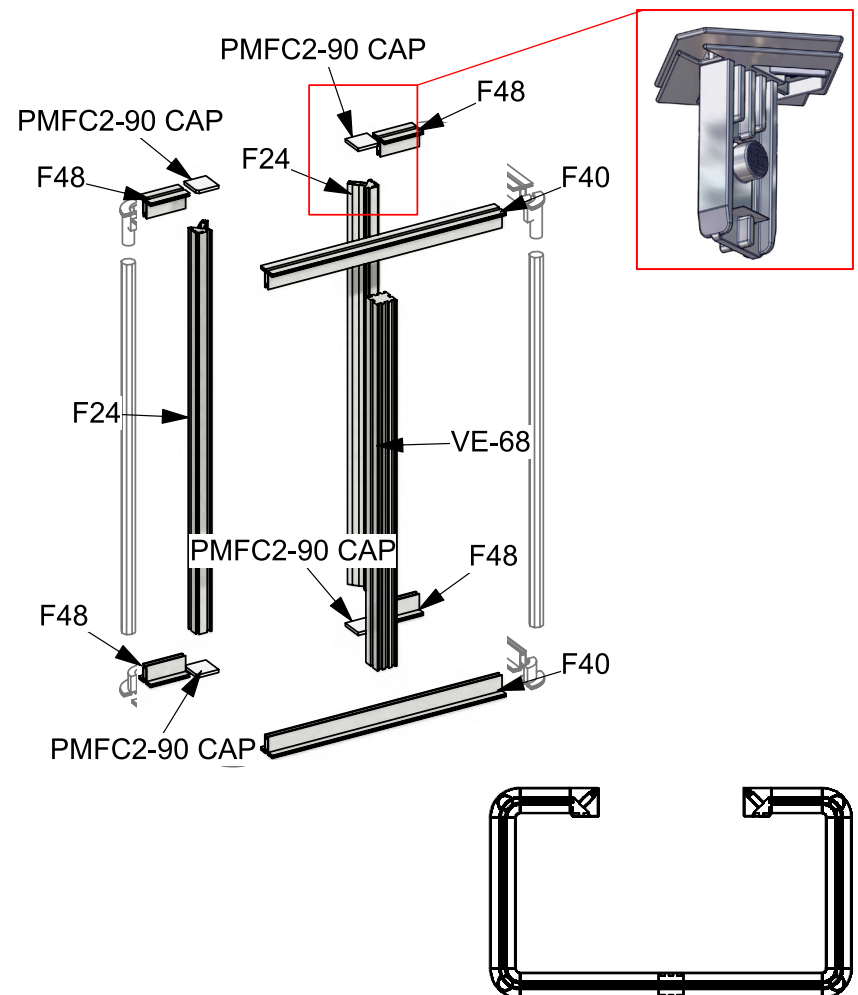
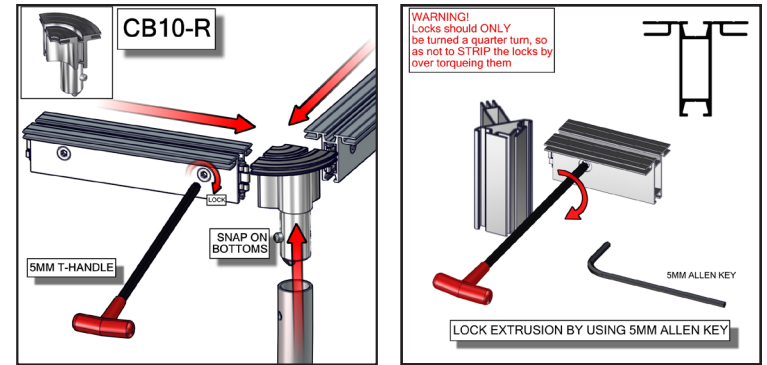
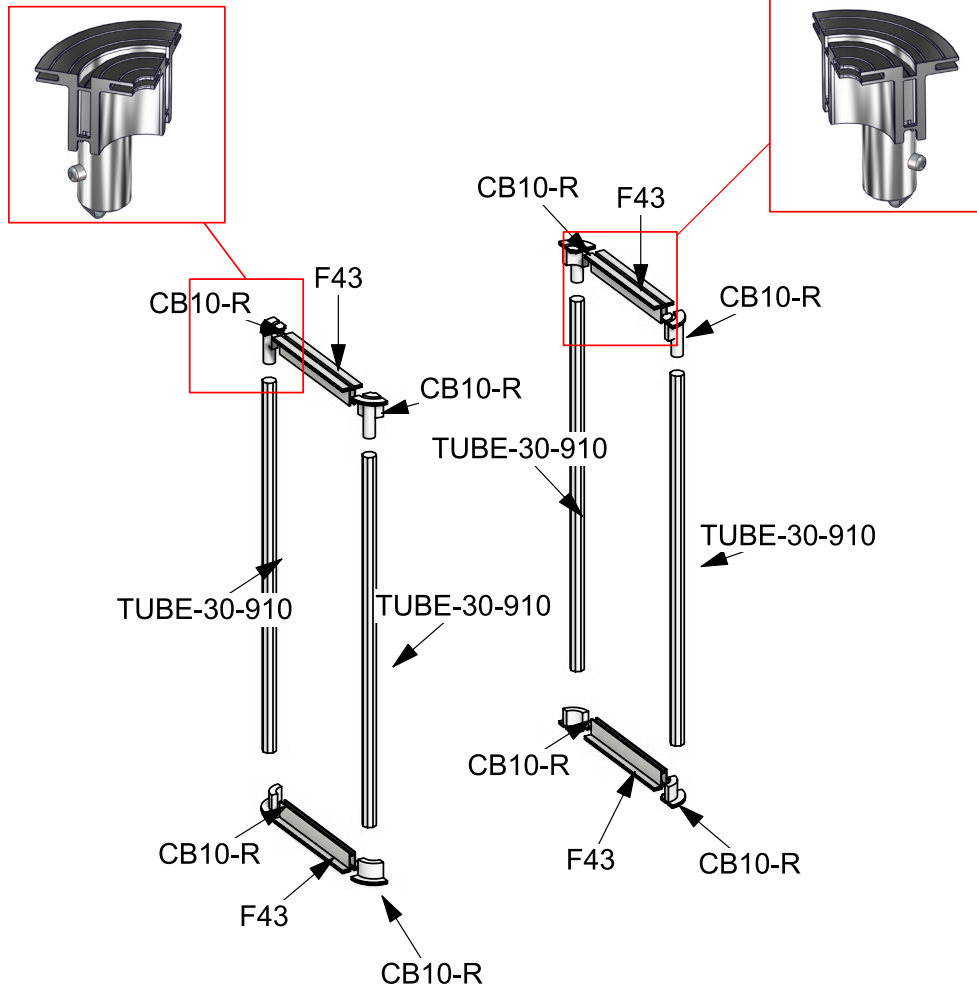


Exploded view



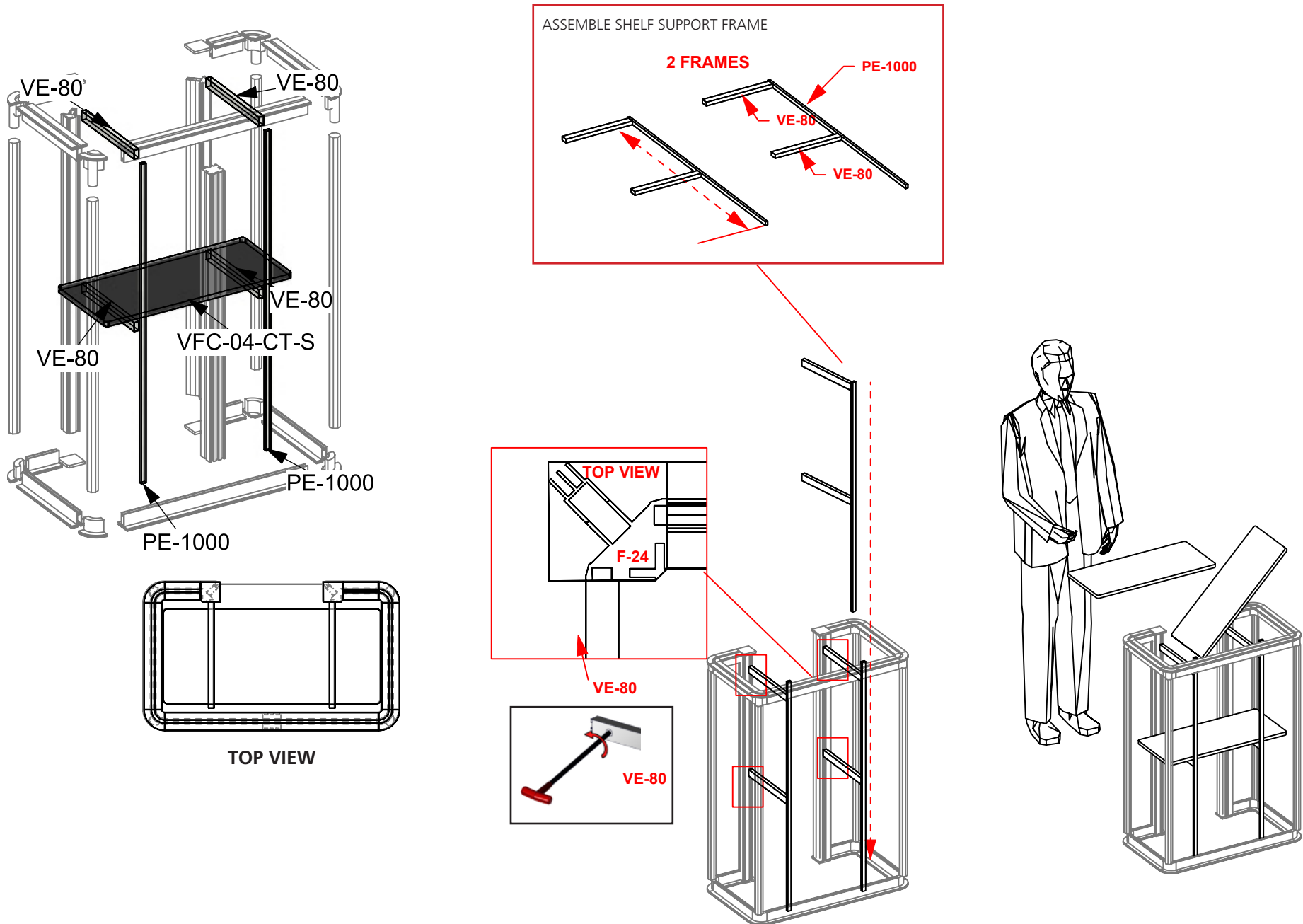
## Step 1: Assemble Counter Frame

Arrange pieces on the floor as shown in the diagram below. Assemble frame sides by locking F43s and TUBE-30-910s to the CB10-Rs. Continue frame assembly by locking F40 to VE-68 to the extrusion. When locking be sure to turn each cam a little bit and then go back and tighten to the proper tension. Take care to turn locks only a quarter turn, so as to not strip the locks by over tightening.



## Step 2: Install Internal Shelf

Assemble shelf support frame by securing VE-80 to PE-1000 extrusion. With VE-80 secured to PE-1000, slide PE-1000 into counter frame as shown below. Lock each frame to F-24 using Allen Key. Install internal shelf (VFC-02-CT-S) on top of VE-80s.



### Step 3: Apply Graphics & Attach Countertop

Apply push-fit fabric graphic(s) by pressing the FCE-2 edge of graphic into the channel of the extrusion. Start in upper left corner, go across the top and then down the sides to the bottom. Repeat for each side. Assure each graphic is tightly inserted. When taking graphics off, take care to gently pull by attached pull tab. Next, gently place the countertop onto the completed frame. Lock countertop into place using Hex Key.

