

Mosquito

MSQT-800-S / MSQT-800-B

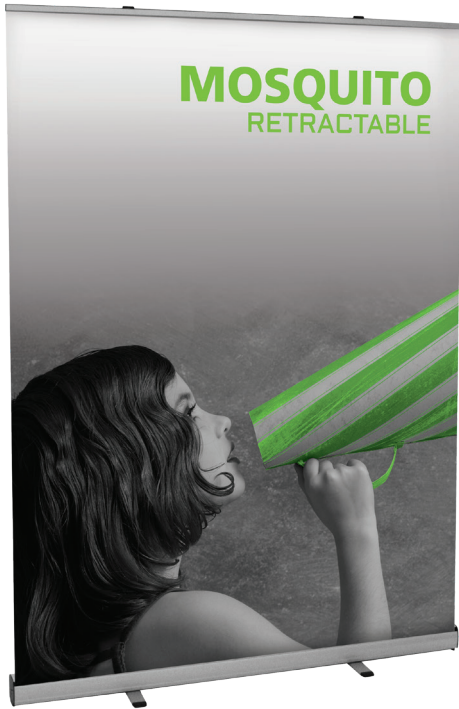
MSQT-1200-S

MSQT-1500-S

The Mosquito is an affordable, versatile stand in silver with sleek black endcaps. With three base widths to choose from, including one that is five feet wide, this product's usability goes from banner stand to backwall.



Mosquito 800



Mosquito 1500



Black available for the 800 only

We are continually improving and modifying our product range and reserve the right to vary the specifications without prior notice. All dimensions and weights quoted are approximate and we accept no responsibility for variance. E&OE. See Graphic Templates for graphic bleed specifications.

features and benefits:

- Comes complete with base, snap top rail, three piece bungee pole(s) and carry bag
- Three sizes to choose from: 800, 1200 and 1500mm wide
- Lightweight construction
- Anodized silver finish
- Carry bag included
- Twin swivel feet for excellent balance and stability
- 90 day warranty against manufacturer defects

dimensions:

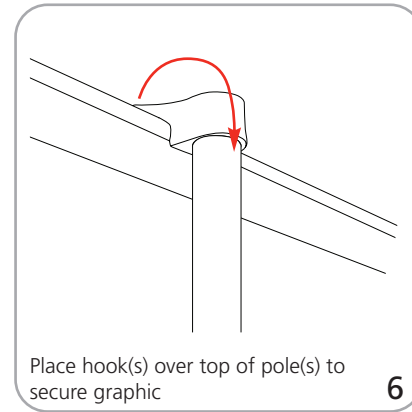
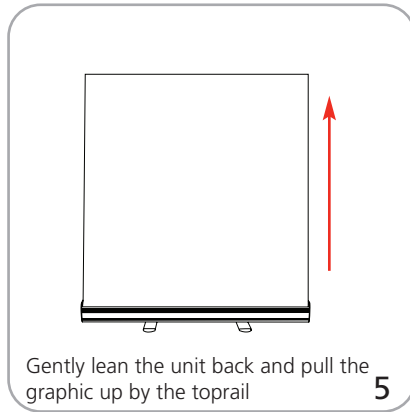
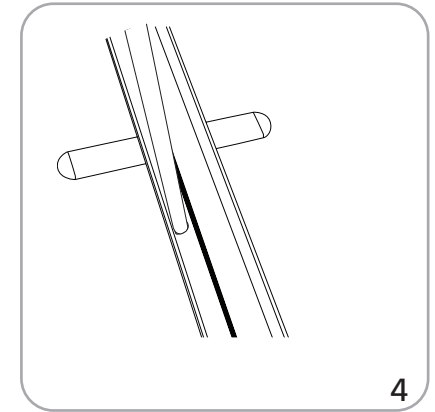
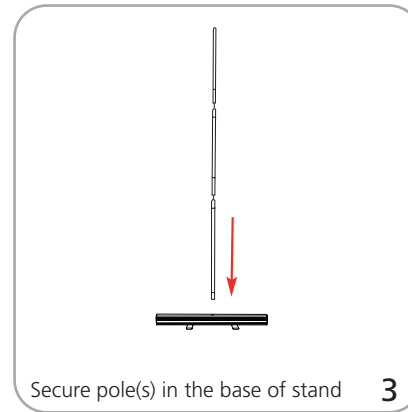
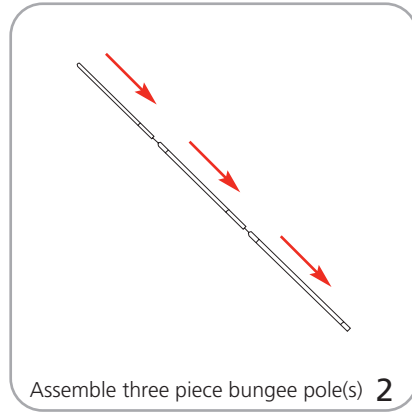
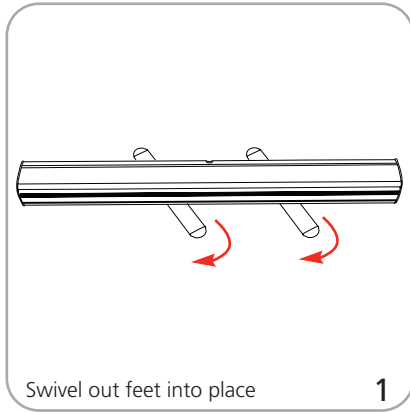
Hardware	Graphic
<p>Assembled unit: 800mm: 32" w x 11.2" d x 82.87" h 812.8mm(w) x 285mm(d) x 2105mm(h)</p> <p>1200mm: 48.25" w x 11.2" d x 82.87" h 1225.6mm(w) x 285mm(d) x 2105mm(h)</p> <p>1500mm: 59.5" w x 11.2" d x 82.87" h 1511.3mm(w) x 285mm(d) x 2105mm(h)</p>	<p>Visible dimensions: 800mm: 31.5" w x 78.5" h 800mm(w) x 1994mm(h)</p> <p>1200mm: 47.25" w x 78.5" h 1200.15mm(w) x 1994mm(h)</p> <p>1500mm: 59" w x 78.5" h 1498.6mm(w) x 1994mm(h)</p>
<p>Shipping</p> <p>Shipping dimensions - ships in one box 800mm: 35" l x 5" w x 5" h 889mm(l) x 127mm(w) x 127mm(h)</p> <p>1200mm: 50" l x 5" w x 5" h 1270mm(l) x 127mm(w) x 127mm(h)</p> <p>1500mm: 62" l x 5" w x 5" h 1575mm(l) x 127mm(w) x 127mm(h)</p> <p>Approximate shipping weight: 800mm: 7 lbs/ 3.2 kg 1200mm: 11 lbs/ 5 kg 1500mm: 12 lbs/ 5.4 kg</p>	<p>Refer to related graphic template for more information</p>

additional information:

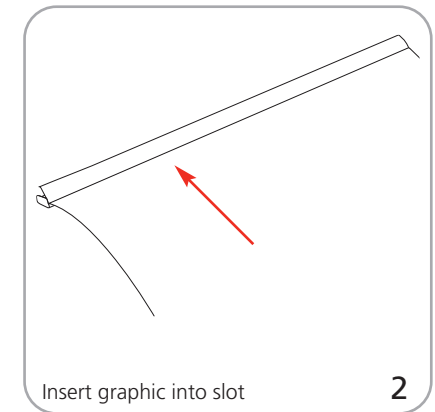
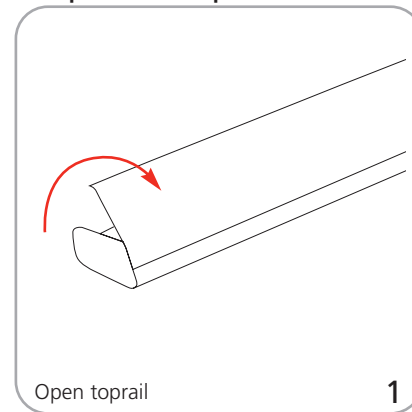
Graphic materials:
 13 oz flatmaxx vinyl or oxford fabric

Mosquito 800 is supplied with one bungee pole per unit while 1200 and 1500 come with two bungee poles per unit

Mosquito Set-Up



Graphic to toprail attachment



Graphic to base attachment

